

HI·MACS

The shape of your ideas

TECHNICAL DATA SHEET

SINKS: Kitchen & Healthcare applications

Solid Surface Material



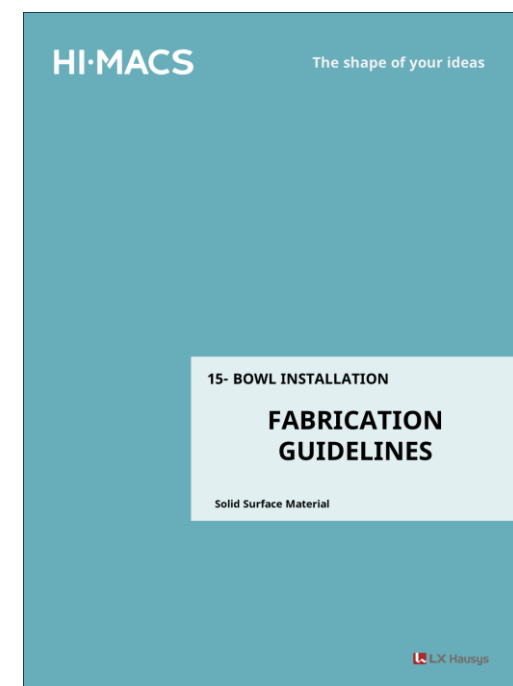
HIMACS sinks for kitchen and healthcare applications are designed to be seamlessly combined with HIMACS sheets, either flush-mounted or installed beneath the surface. The result is a single-cast, extremely hygienic solution that is easy to clean and maintain.

1. INSTALLATION GUIDELINES

HIMACS sinks for kitchen and healthcare applications are designed for flush-mounted or undermounted installation beneath HIMACS panels.

All installation details are provided in the following document.

15 - FABRICATION GUIDELINES - BOWL INSTALLATION



2. PACKAGING & TRANSPORTATION

HIMACS sinks for kitchen and healthcare applications are sustainably packaged. As a responsible manufacturer,

LX Hausys has eliminated all non-recyclable materials from its packaging. Please recycle the packaging in accordance with local regulations.



Reminder: All HIMACS sinks for kitchen and healthcare applications are carefully packed and transported to prevent product damage. The HIMACS warranty applies from the moment the goods leave our logistics hub until delivery to the customer or distributor. Any damage incurred during subsequent transport cannot be claimed under the HIMACS warranty. Please refer to the transportation regulations applicable in your region.

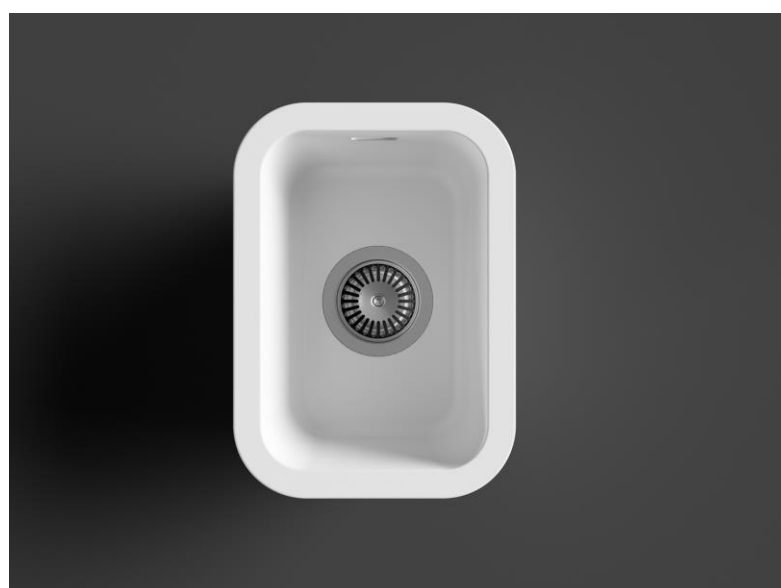
3. PRODUCT DESCRIPTION

HIMACS Sinks for kitchen & healthcare applications, are detailed in the following pages.

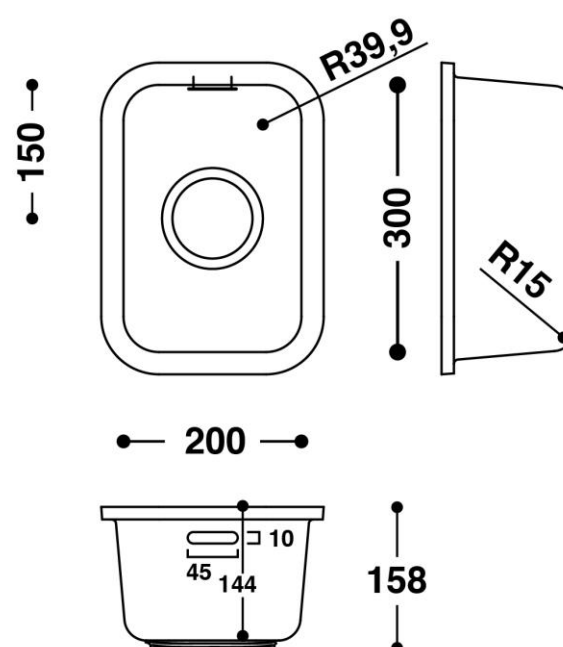
Remarks:

- HIMACS Sinks RCS 824 D, RCS490 D are only available with overflow.
- All other HIMACS Sinks are available with and without overflow.

■ RCS 203 - Kitchen application



MINIMUM 8% RECYCLED CONTENT
PRE-CONSUMER



■ Dimensions, Weight, and Packaging Information

RCS 203	
LENGTH	300 mm
WITDH	200 mm
HEIGHT	158 mm
INSIDE RADIUS R	15 mm

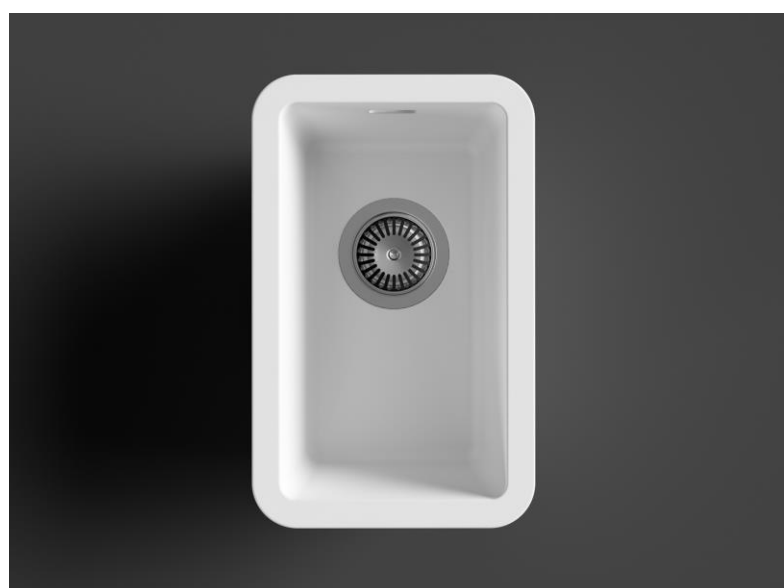
RCS 203	
NET WEIGHT	3.2 kg
PACKAGING WEIGHT	0.7 kg
GROSS WEIGHT	3.9 kg
PACKAGING DIMENSIONS (H x W x L)	210 x 335 x 430 mm

■ Conformity to EN 13310:2016+A1:2019

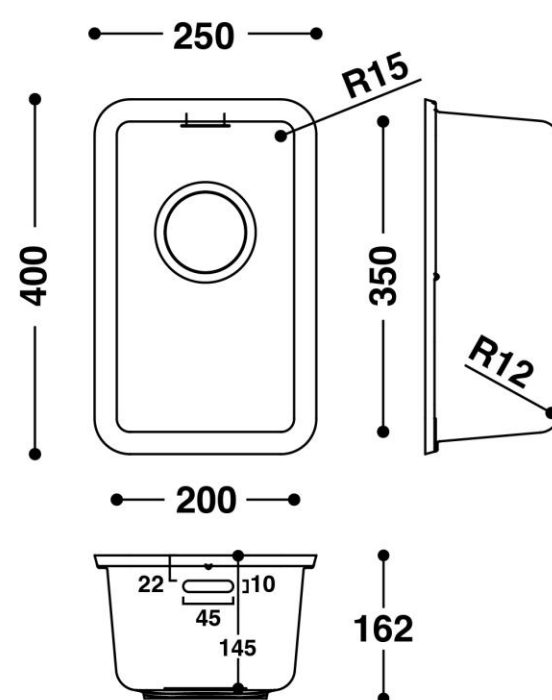
ESSENTIALS CHARACTERISTICS	PERFORMANCE	Harmonized specification
Fitness for cleaning	PASS	EN 13301:2016+A1:2019
Resistance to load	PASS	EN 13301:2016+A1:2019
Protection against overflow	CLASS 20 **	EN 13301:2016+A1:2019
Durability	PASS	EN 13301:2016+A1:2019

** Class 00 for models without overflow.

■ RCS 204 - Kitchen application



MINIMUM 8% RECYCLED CONTENT
PRE-CONSUMER



■ Dimensions, Weight, and Packaging Information

RCS 204	
LENGTH	350 mm
WITDH	200 mm
HEIGHT	162 mm
INSIDE RADIUS R	12 mm

RCS 204	
NET WEIGHT	5.2 kg
PACKAGING WEIGHT	0.7 kg
GROSS WEIGHT	5.9 kg
PACKAGING DIMENSIONS (H x W x L)	200 x 340 x 480 mm

■ Conformity to EN 13310:2016+A1:2019

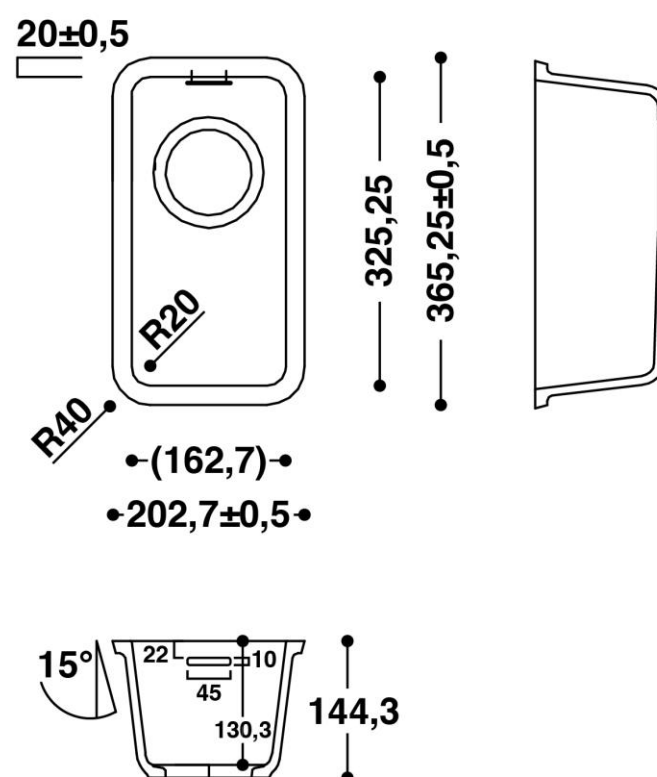
ESSENTIALS CHARACTERISTICS	PERFORMANCE	Harmonized specification
Fitness for cleaning	PASS	EN 13301:2016+A1:2019
Resistance to load	PASS	EN 13301:2016+A1:2019
Protection against overflow	CLASS 20 **	EN 13301:2016+A1:2019
Durability	PASS	EN 13301:2016+A1:2019

** Class 00 for models without overflow.

■ RCS 325 R - Kitchen application



MINIMUM 8% RECYCLED CONTENT
PRE-CONSUMER



■ Dimensions, Weight, and Packaging Information

RCS 325 R	
LENGTH	325.25 mm
WITDH	162.7 mm
HEIGHT	144.3 mm
INSIDE RADIUS R	20 mm

RCS 325 R	
NET WEIGHT	3.3 kg
PACKAGING WEIGHT	0.6 kg
GROSS WEIGHT	3.9 kg
PACKAGING DIMENSIONS (H x W x L)	200 x 290 x 455 mm

■ Conformity to EN 13310:2016+A1:2019

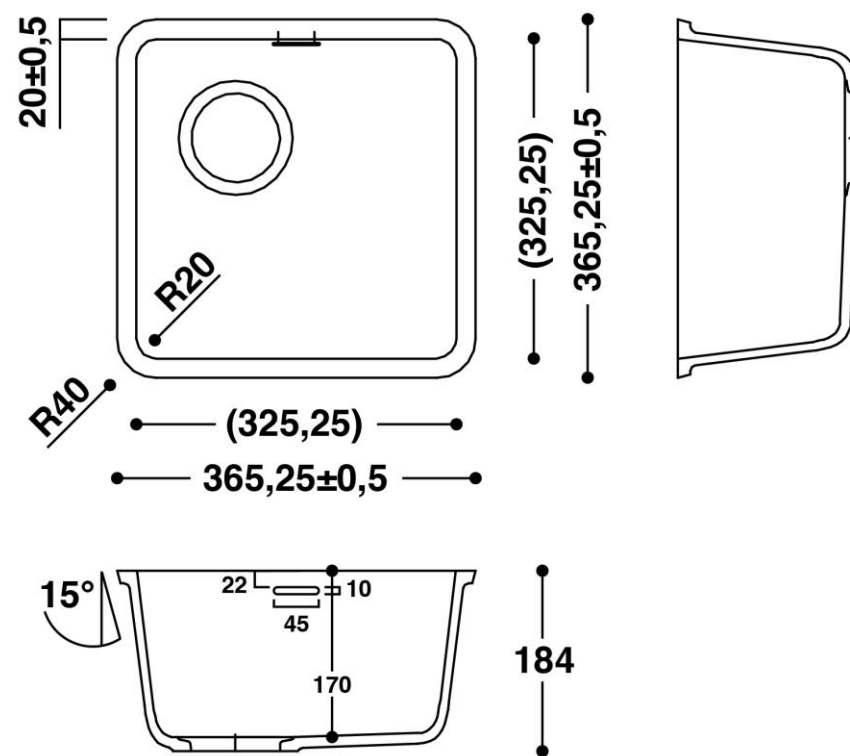
ESSENTIALS CHARACTERISTICS	PERFORMANCE	Harmonized specification
Fitness for cleaning	PASS	EN 13301:2016+A1:2019
Resistance to load	PASS	EN 13301:2016+A1:2019
Protection against overflow	CLASS 20 **	EN 13301:2016+A1:2019
Durability	PASS	EN 13301:2016+A1:2019

** Class 00 for models without overflow.

■ RCS 325 S - Kitchen application



MINIMUM 8% RECYCLED CONTENT
PRE-CONSUMER



■ Dimensions, Weight, and Packaging Information

RCS 325 S	
LENGTH	325.25 mm
WITDH	325.25 mm
HEIGHT	184 mm
INSIDE RADIUS R	20 mm

RCS 325 S	
NET WEIGHT	6.3 kg
PACKAGING WEIGHT	1 kg
GROSS WEIGHT	7.3 kg
PACKAGING DIMENSIONS (H x W x L)	240 x 425 x 440 mm

■ Conformity to EN 13310:2016+A1:2019

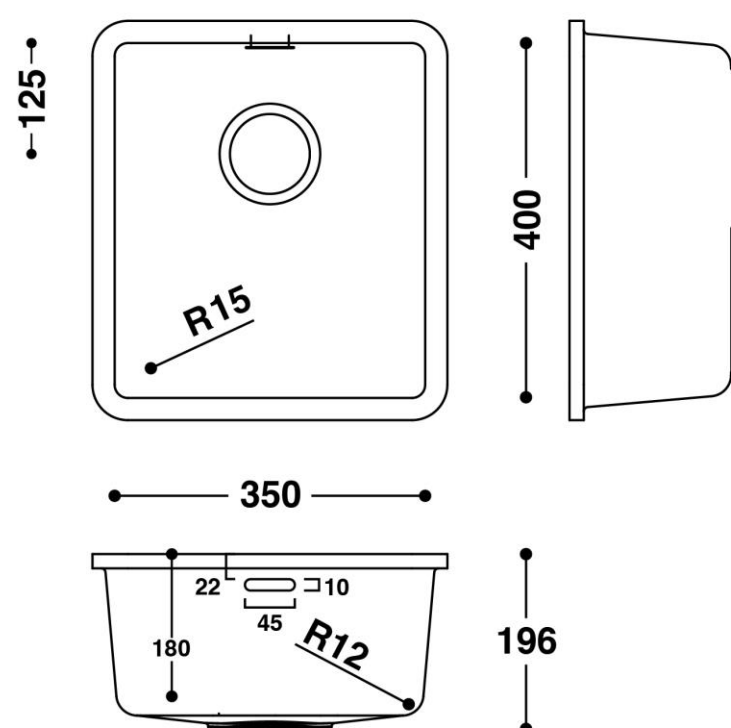
ESSENTIALS CHARACTERISTICS	PERFORMANCE	Harmonized specification
Fitness for cleaning	PASS	EN 13301:2016+A1:2019
Resistance to load	PASS	EN 13301:2016+A1:2019
Protection against overflow	CLASS 20 **	EN 13301:2016+A1:2019
Durability	PASS	EN 13301:2016+A1:2019

** Class 00 for models without overflow.

■ RCS 354 - Kitchen & Healthcare application



MINIMUM 8% RECYCLED CONTENT
PRE-CONSUMER



■ Dimensions, Weight, and Packaging Information

RCS 354	
LENGTH	325 mm
WITDH	325 mm
HEIGHT	184 mm
INSIDE RADIUS R	15 / 12 mm

RCS 354	
NET WEIGHT	8.2 kg
PACKAGING WEIGHT	1.2 kg
GROSS WEIGHT	9.4 kg
PACKAGING DIMENSIONS (H x W x L)	250 x 490 x 530 mm

■ Conformity to EN 13310:2016+A1:2019

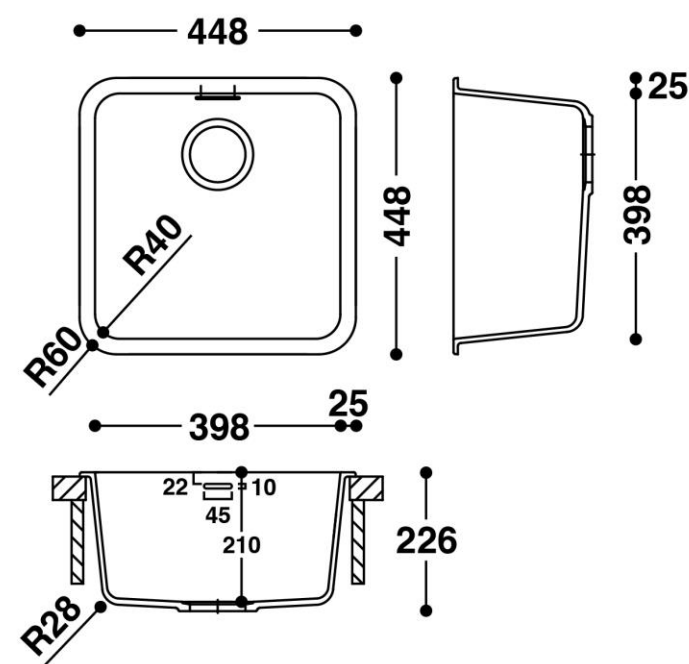
ESSENTIALS CHARACTERISTICS	PERFORMANCE	Harmonized specification
Fitness for cleaning	PASS	EN 13301:2016+A1:2019
Resistance to load	PASS	EN 13301:2016+A1:2019
Protection against overflow	CLASS 20 **	EN 13301:2016+A1:2019
Durability	PASS	EN 13301:2016+A1:2019

** Class 00 for models without overflow.

■ RCS 398 S - Kitchen application



MINIMUM 8% RECYCLED CONTENT
PRE-CONSUMER



■ Dimensions, Weight, and Packaging Information

RCS 398 S	
LENGTH	398 mm
WITDH	398 mm
HEIGHT	226 mm
INSIDE RADIUS R	40 mm

RCS 398 S	
NET WEIGHT	9.6 kg
PACKAGING WEIGHT	1.2 kg
GROSS WEIGHT	11 kg
PACKAGING DIMENSIONS (H x W x L)	280 x 530 x 525 mm

■ Conformity to EN 13310:2016+A1:2019

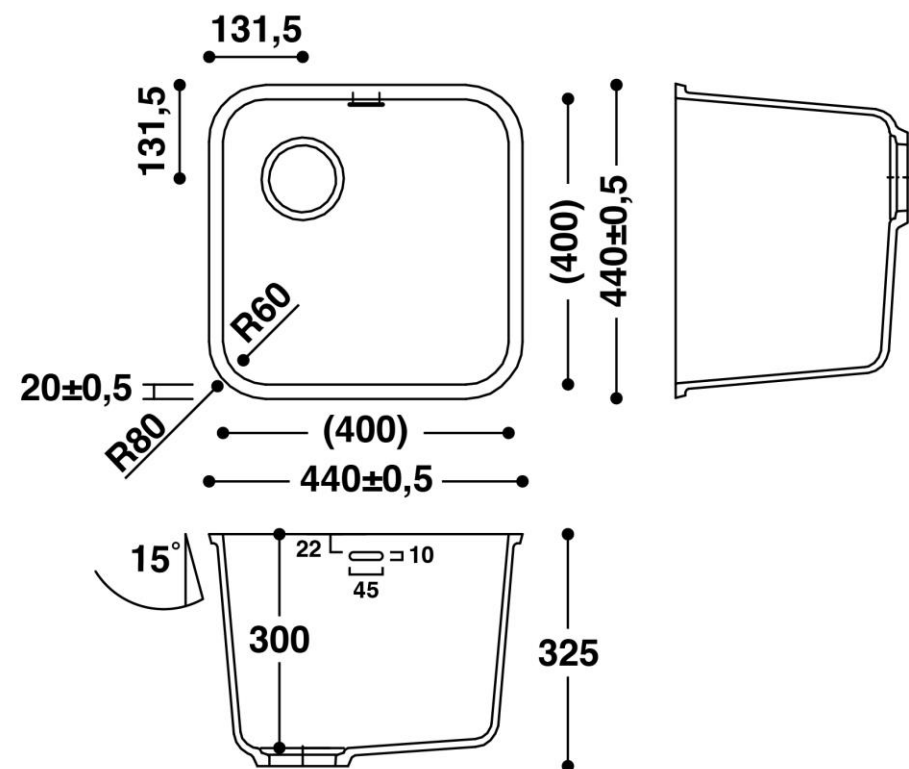
ESSENTIALS CHARACTERISTICS	PERFORMANCE	Harmonized specification
Fitness for cleaning	PASS	EN 13301:2016+A1:2019
Resistance to load	PASS	EN 13301:2016+A1:2019
Protection against overflow	CLASS 20 **	EN 13301:2016+A1:2019
Durability	PASS	EN 13301:2016+A1:2019

** Class 00 for models without overflow.

■ RCS 400 S - Kitchen application



MINIMUM 8% RECYCLED CONTENT
PRE-CONSUMER



■ Dimensions, Weight, and Packaging Information

RCS 400 S	
LENGTH	400 mm
WITDH	400 mm
HEIGHT	325 mm
INSIDE RADIUS R	60 mm

RCS 400 S	
NET WEIGHT	11.8 kg
PACKAGING WEIGHT	1.5 kg
GROSS WEIGHT	13.3 kg
PACKAGING DIMENSIONS (H x W x L)	370 x 535 x 530 mm

■ Conformity to EN 13310:2016+A1:2019

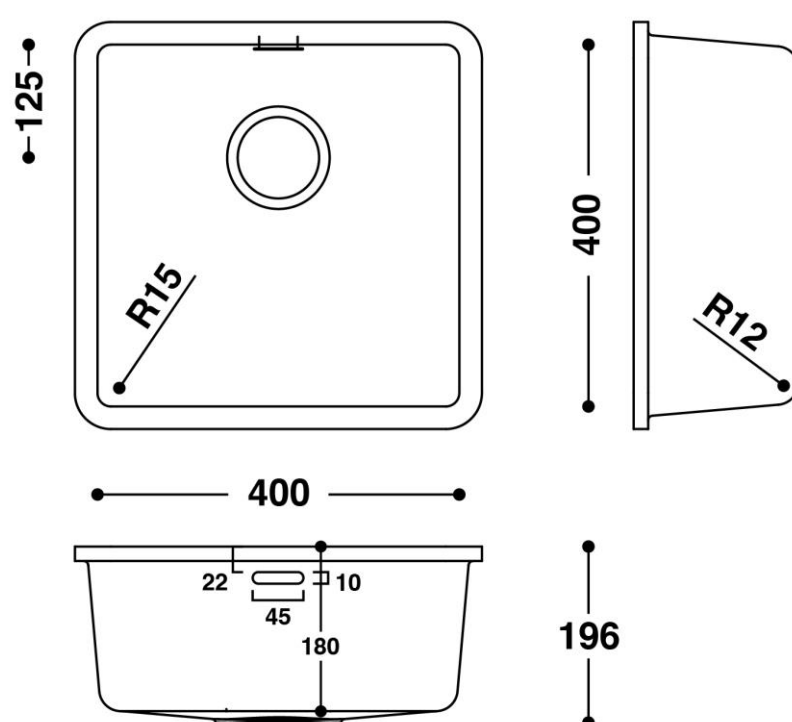
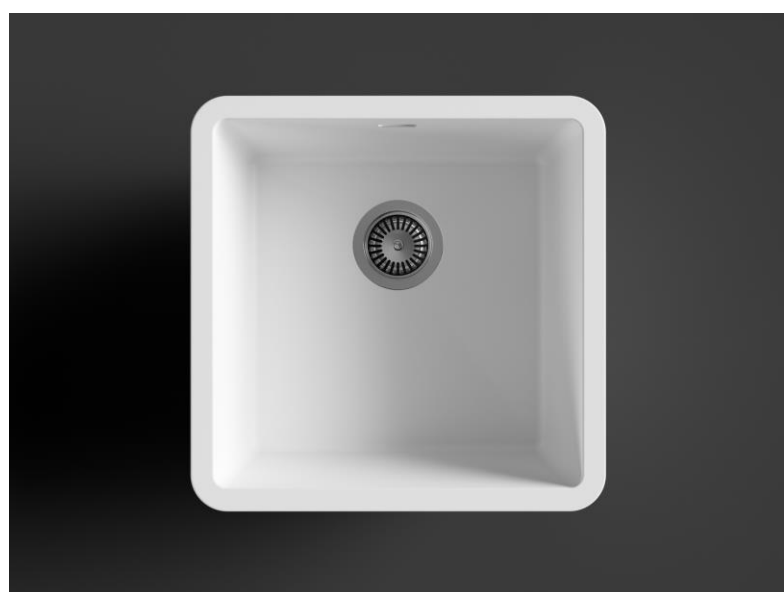
ESSENTIALS CHARACTERISTICS	PERFORMANCE	Harmonized specification
Fitness for cleaning	PASS	EN 13301:2016+A1:2019
Resistance to load	PASS	EN 13301:2016+A1:2019
Protection against overflow	CLASS 20 **	EN 13301:2016+A1:2019
Durability	PASS	EN 13301:2016+A1:2019

** Class 00 for models without overflow.

■ RCS 404 – Kitchen & Healthcare application



MINIMUM 8% RECYCLED CONTENT
PRE-CONSUMER



■ Dimensions, Weight, and Packaging Information

RCS 404	
LENGTH	400 mm
WITDH	400 mm
HEIGHT	196 mm
INSIDE RADIUS R	15/12 mm

RCS 404	
NET WEIGHT	8.5 kg
PACKAGING WEIGHT	1.3 kg
GROSS WEIGHT	9.8 kg
PACKAGING DIMENSIONS(H x W x L)	250 x 540 x 530 mm

■ Conformity to EN 13310:2016+A1:2019

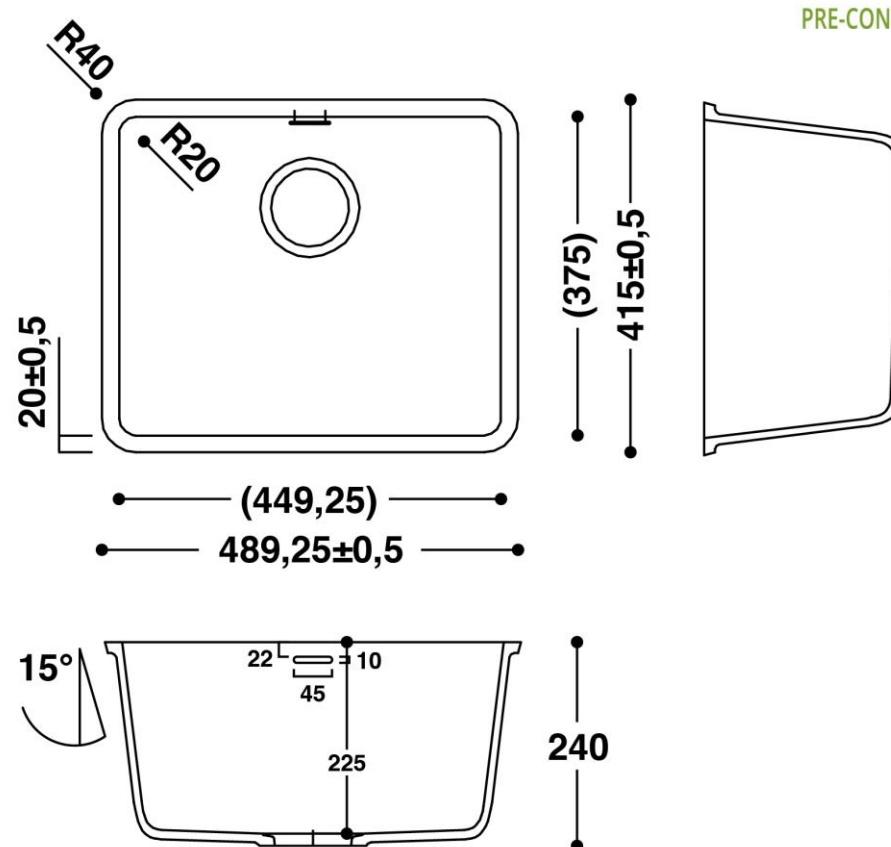
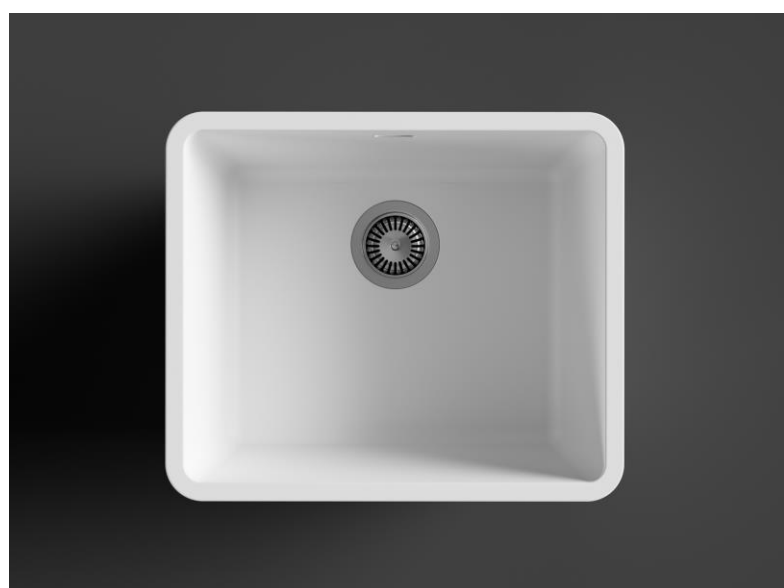
ESSENTIALS CHARACTERISTICS	PERFORMANCE	Harmonized specification
Fitness for cleaning	PASS	EN 13301:2016+A1:2019
Resistance to load	PASS	EN 13301:2016+A1:2019
Protection against overflow	CLASS 20 **	EN 13301:2016+A1:2019
Durability	PASS	EN 13301:2016+A1:2019

** Class 00 for models without overflow.

■ RCS 449 RL – Kitchen application



MINIMUM 8% RECYCLED CONTENT
PRE-CONSUMER



■ Dimensions, Weight, and Packaging Information

RCS 449 RL	
LENGTH	449.25 mm
WITDTH	375 mm
HEIGHT	240 mm
INSIDE RADIUS R	20 mm

RCS 449 RL	
NET WEIGHT	11.4 kg
PACKAGING WEIGHT	1.5 kg
GROSS WEIGHT	12.9 kg
PACKAGING DIMENSIONS (H x W x L)	295 x 490 x 585 mm

■ Conformity to EN 13310:2016+A1:2019

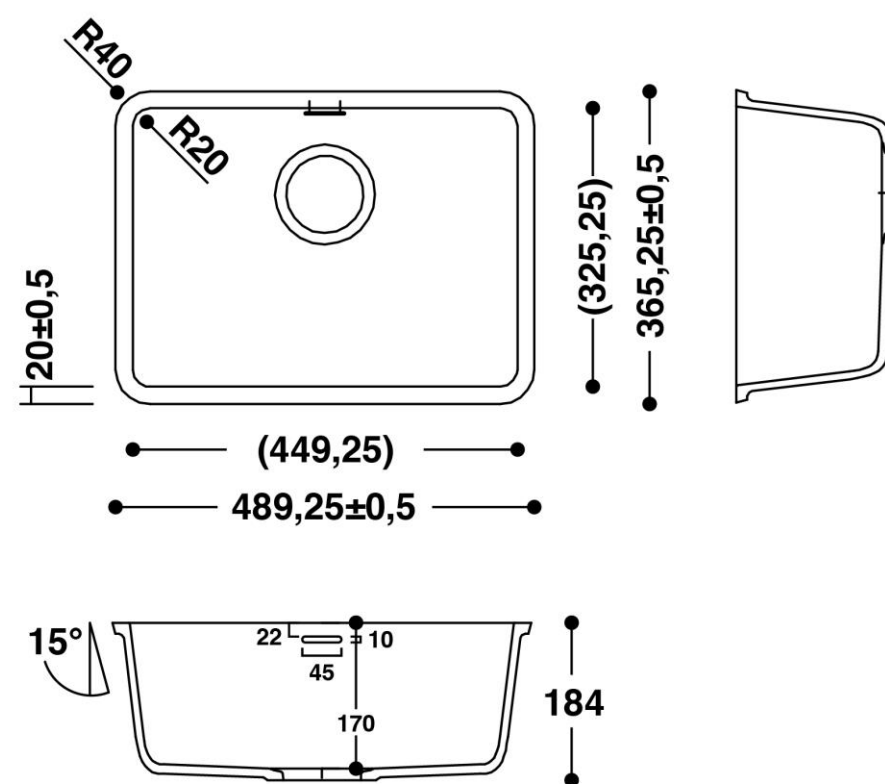
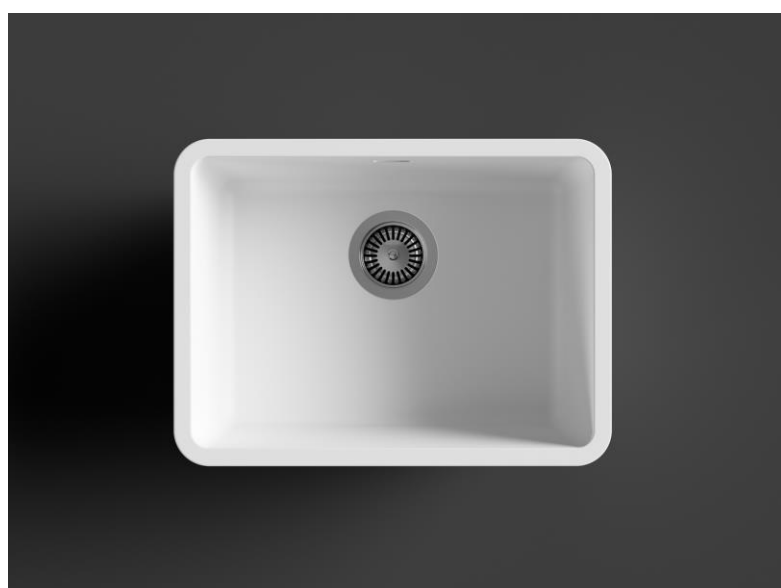
ESSENTIALS CHARACTERISTICS	PERFORMANCE	Harmonized specification
Fitness for cleaning	PASS	EN 13301:2016+A1:2019
Resistance to load	PASS	EN 13301:2016+A1:2019
Protection against overflow	CLASS 20 **	EN 13301:2016+A1:2019
Durability	PASS	EN 13301:2016+A1:2019

** Class 00 for models without overflow.

■ RCS 449 RS – Kitchen application



MINIMUM 8% RECYCLED CONTENT
PRE-CONSUMER



■ Dimensions, Weight, and Packaging Information

RCS 449 RS	
LENGTH	449.25 mm
WITDH	325.25 mm
HEIGHT	184 mm
INSIDE RADIUS R	20 mm

RCS 449 RS	
NET WEIGHT	8 kg
PACKAGING WEIGHT	1.2 kg
GROSS WEIGHT	9.2 kg
PACKAGING DIMENSIONS (H x W x L)	260 x 460 x 575 mm

■ Conformity to EN 13310:2016+A1:2019

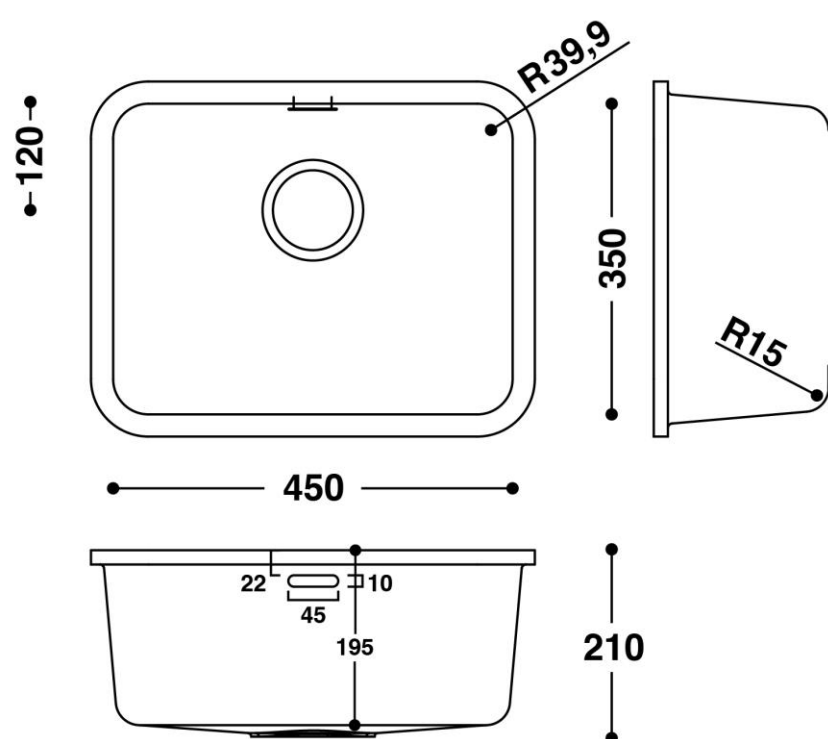
ESSENTIALS CHARACTERISTICS	PERFORMANCE	Harmonized specification
Fitness for cleaning	PASS	EN 13301:2016+A1:2019
Resistance to load	PASS	EN 13301:2016+A1:2019
Protection against overflow	CLASS 20 **	EN 13301:2016+A1:2019
Durability	PASS	EN 13301:2016+A1:2019

** Class 00 for models without overflow.

■ RCS 453 – Kitchen & Healthcare application



MINIMUM 8% RECYCLED CONTENT
PRE-CONSUMER



■ Dimensions, Weight, and Packaging Information

RCS 453	
LENGTH	450 mm
WITDH	350 mm
HEIGHT	210 mm
INSIDE RADIUS R	39.9 mm

RCS 453	
NET WEIGHT	8.1 kg
PACKAGING WEIGHT	1.3 kg
GROSS WEIGHT	9.4 kg
PACKAGING DIMENSIONS (H x W x L)	260 x 490 x 585 mm

■ Conformity to EN 13310:2016+A1:2019

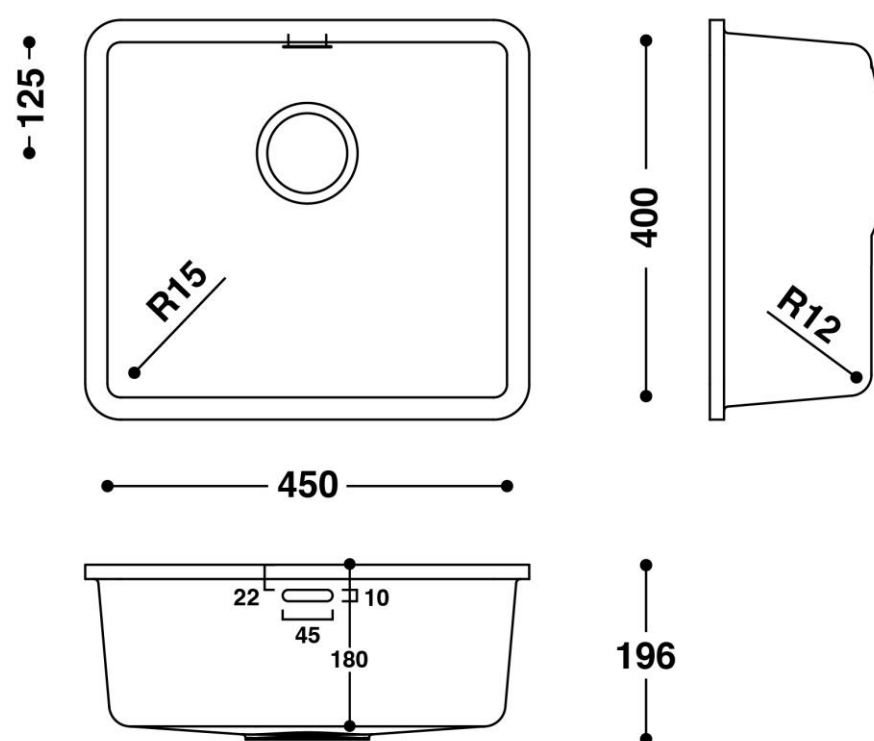
ESSENTIALS CHARACTERISTICS	PERFORMANCE	Harmonized specification
Fitness for cleaning	PASS	EN 13301:2016+A1:2019
Resistance to load	PASS	EN 13301:2016+A1:2019
Protection against overflow	CLASS 20 **	EN 13301:2016+A1:2019
Durability	PASS	EN 13301:2016+A1:2019

** Class 00 for models without overflow.

■ RCS 454 – Kitchen & Healthcare application



MINIMUM 8% RECYCLED CONTENT
PRE-CONSUMER



■ Dimensions, Weight, and Packaging Information

RCS 454	
LENGTH	450 mm
WITDH	400 mm
HEIGHT	196 mm
INSIDE RADIUS R	15 mm

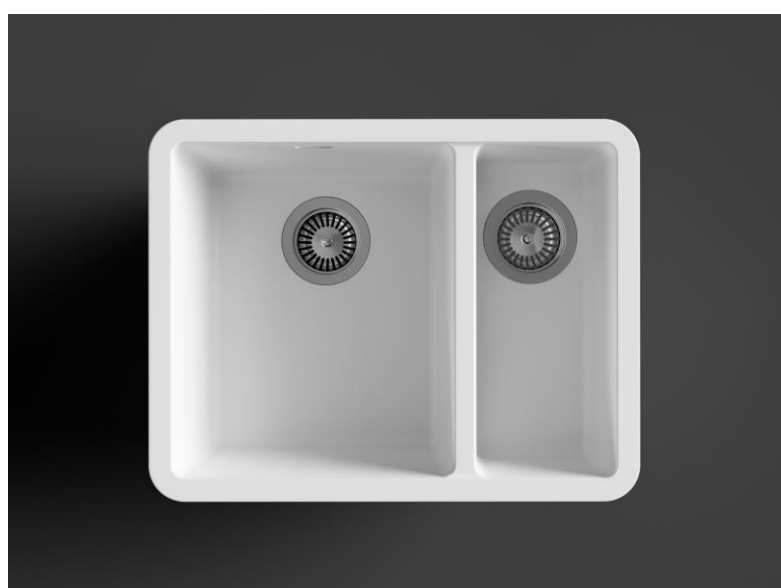
RCS 454	
NET WEIGHT	10 kg
PACKAGING WEIGHT	1.3 kg
GROSS WEIGHT	11.3 kg
PACKAGING DIMENSIONS (H x W x L)	250 x 540 x 585 mm

■ Conformity to EN 13310:2016+A1:2019

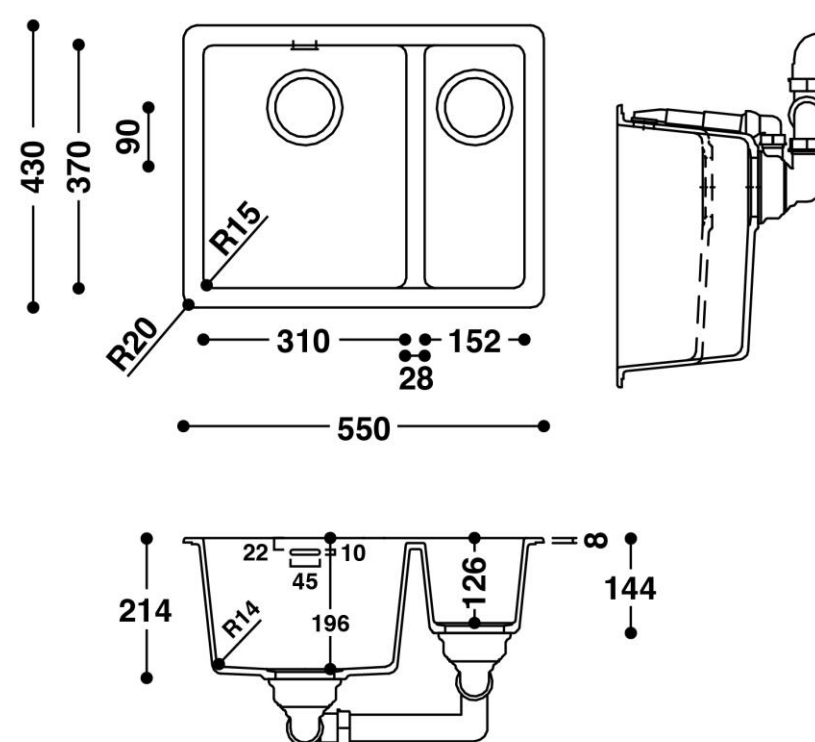
ESSENTIALS CHARACTERISTICS	PERFORMANCE	Harmonized specification
Fitness for cleaning	PASS	EN 13301:2016+A1:2019
Resistance to load	PASS	EN 13301:2016+A1:2019
Protection against overflow	CLASS 20 **	EN 13301:2016+A1:2019
Durability	PASS	EN 13301:2016+A1:2019

** Class 00 for models without overflow.

■ RCS 490 D – Kitchen application



MINIMUM 8% RECYCLED CONTENT
PRE-CONSUMER



■ Dimensions, Weight, and Packaging Information

RCS 490 D	
LENGTH	310 / 152 mm
WITDTH	370 mm
HEIGHT	214 / 144 mm
INSIDE RADIUS R	15 mm

RCS 490 D	
NET WEIGHT	10.4 kg
PACKAGING WEIGHT	2 kg
GROSS WEIGHT	12.4 kg
PACKAGING DIMENSIONS (H x W x L)	280 x 500 x 610 mm

■ Conformity to EN 13310:2016+A1:2019

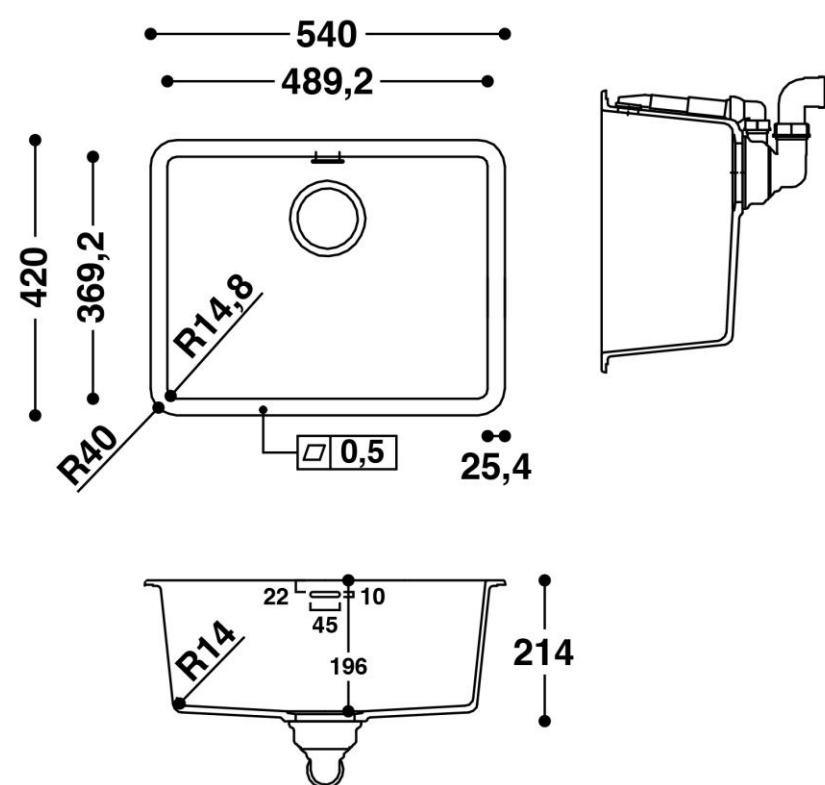
ESSENTIALS CHARACTERISTICS	PERFORMANCE	Harmonized specification
Fitness for cleaning	PASS	EN 13301:2016+A1:2019
Resistance to load	PASS	EN 13301:2016+A1:2019
Protection against overflow	CLASS 20 **	EN 13301:2016+A1:2019
Durability	PASS	EN 13301:2016+A1:2019

** Class 00 for models without overflow.

■ RCS 490 R – Kitchen application



MINIMUM 8% RECYCLED CONTENT
PRE-CONSUMER



■ Dimensions, Weight, and Packaging Information

RCS 490 R	
LENGTH	489.2 mm
WITDH	369.2 mm
HEIGHT	214 mm
INSIDE RADIUS R	14.8 mm

RCS 490 R	
NET WEIGHT	10.6 kg
PACKAGING WEIGHT	1.4 kg
GROSS WEIGHT	12 kg
PACKAGING DIMENSIONS (H x W x L)	270 x 540 x 640 mm

■ Conformity to EN 13310:2016+A1:2019

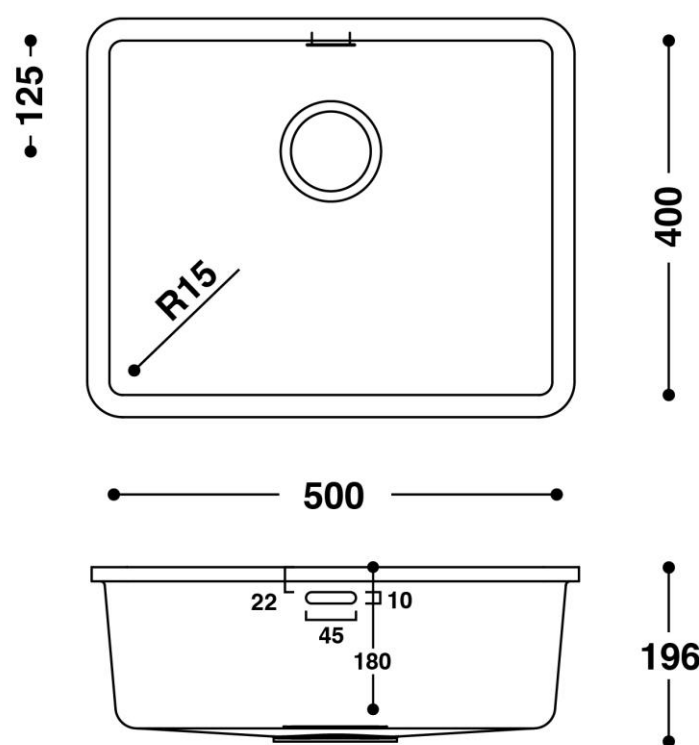
ESSENTIALS CHARACTERISTICS	PERFORMANCE	Harmonized specification
Fitness for cleaning	PASS	EN 13301:2016+A1:2019
Resistance to load	PASS	EN 13301:2016+A1:2019
Protection against overflow	CLASS 20 **	EN 13301:2016+A1:2019
Durability	PASS	EN 13301:2016+A1:2019

** Class 00 for models without overflow.

■ RCS 504 – Kitchen & Healthcare application



MINIMUM 8% RECYCLED CONTENT
PRE-CONSUMER



■ Dimensions, Weight, and Packaging Information

RCS 504	
LENGTH	500 mm
WITDH	400 mm
HEIGHT	196 mm
INSIDE RADIUS R	15 mm

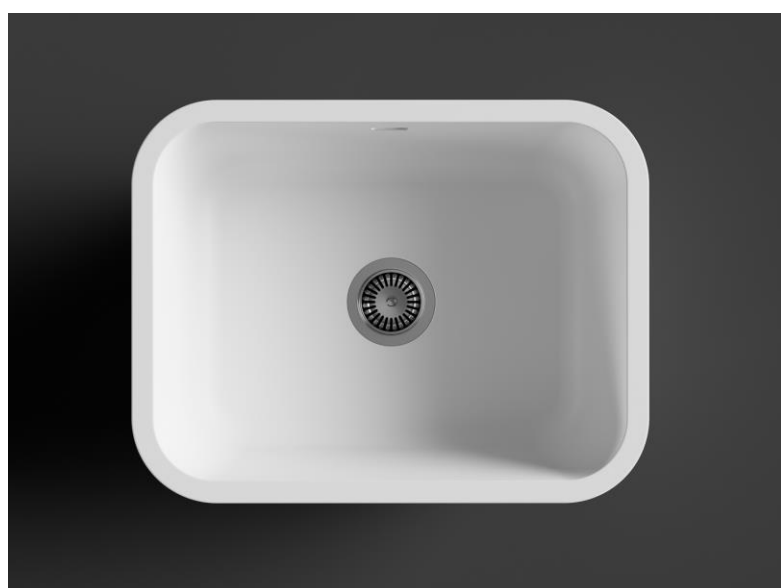
RCS 504	
NET WEIGHT	10.8 kg
PACKAGING WEIGHT	1.4 kg
GROSS WEIGHT	12.2 kg
PACKAGING DIMENSIONS (H x W x L)	250 x 540 x 640 mm

■ Conformity to EN 13310:2016+A1:2019

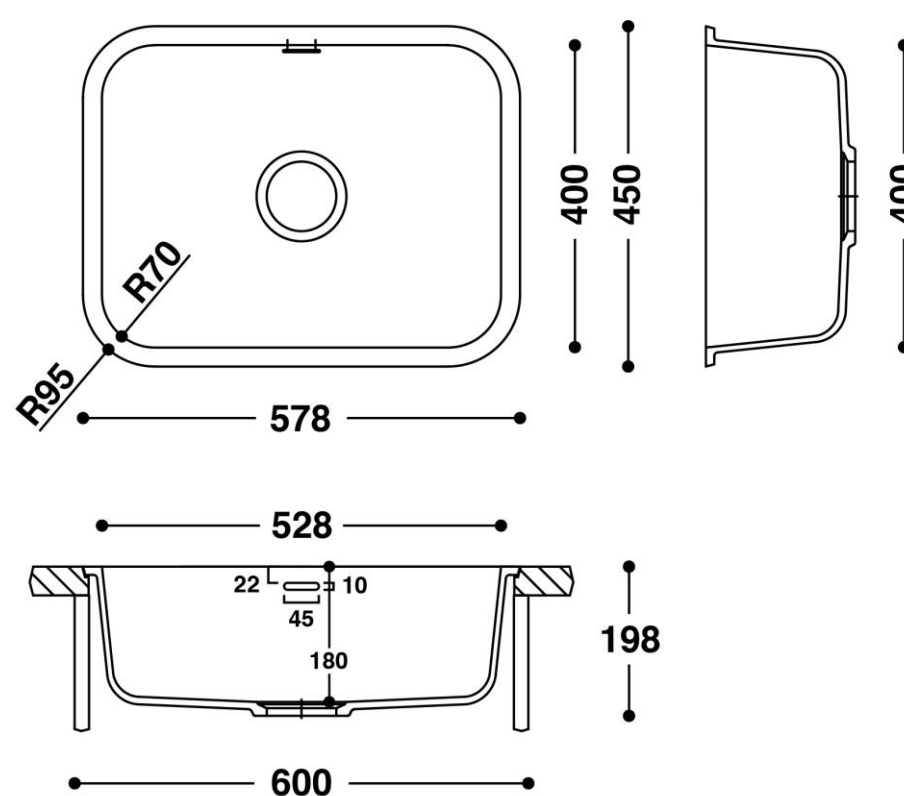
ESSENTIALS CHARACTERISTICS	PERFORMANCE	Harmonized specification
Fitness for cleaning	PASS	EN 13301:2016+A1:2019
Resistance to load	PASS	EN 13301:2016+A1:2019
Protection against overflow	CLASS 20 **	EN 13301:2016+A1:2019
Durability	PASS	EN 13301:2016+A1:2019

** Class 00 for models without overflow.

■ RCS 528 R – Kitchen application



MINIMUM 8% RECYCLED CONTENT
PRE-CONSUMER



■ Dimensions, Weight, and Packaging Information

RCS 528 R	
LENGTH	528 mm
WIDTH	400 mm
HEIGHT	198 mm
INSIDE RADIUS R	70 mm

RCS 528 R	
NET WEIGHT	10.6 kg
PACKAGING WEIGHT	1.5 kg
GROSS WEIGHT	12.1 kg
PACKAGING DIMENSIONS (H x W x L)	255 x 535 x 660 mm

■ Conformity to EN 13310:2016+A1:2019

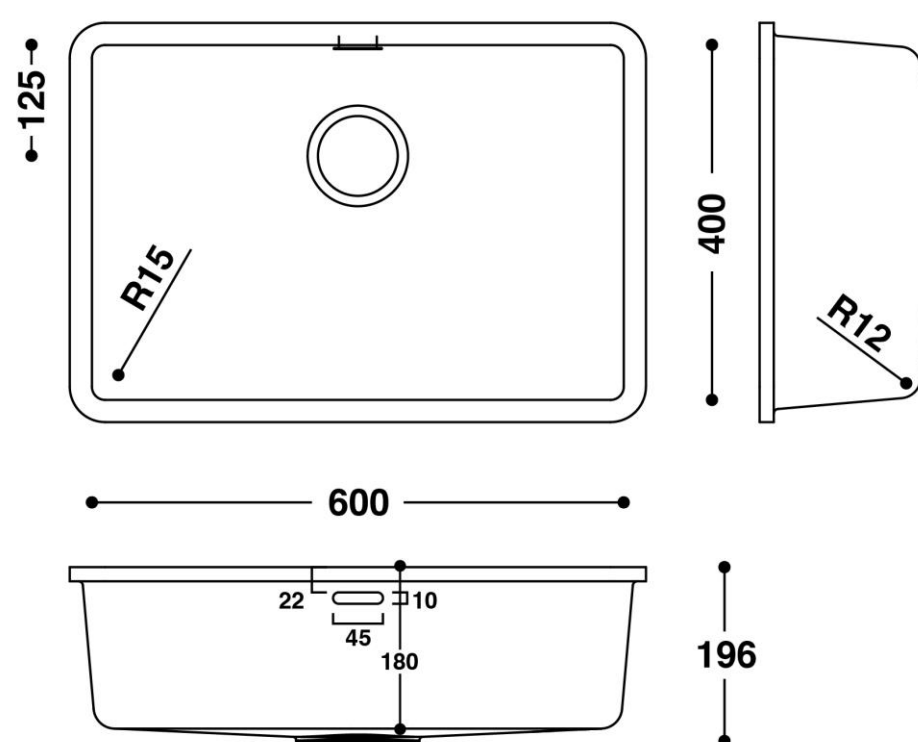
ESSENTIALS CHARACTERISTICS	PERFORMANCE	Harmonized specification
Fitness for cleaning	PASS	EN 13301:2016+A1:2019
Resistance to load	PASS	EN 13301:2016+A1:2019
Protection against overflow	CLASS 20 **	EN 13301:2016+A1:2019
Durability	PASS	EN 13301:2016+A1:2019

** Class 00 for models without overflow.

■ RCS 604 – Kitchen application



MINIMUM 8% RECYCLED CONTENT
PRE-CONSUMER



■ Dimensions, Weight, and Packaging Information

RCS 604	
LENGTH	600 mm
WITDH	400 mm
HEIGHT	196 mm
INSIDE RADIUS R	15 mm

RCS 604	
NET WEIGHT	11.9 kg
PACKAGING WEIGHT	1.5 kg
GROSS WEIGHT	13.4 kg
PACKAGING DIMENSIONS (H x W x L)	240 x 540 x 740 mm

■ Conformity to EN 13310:2016+A1:2019

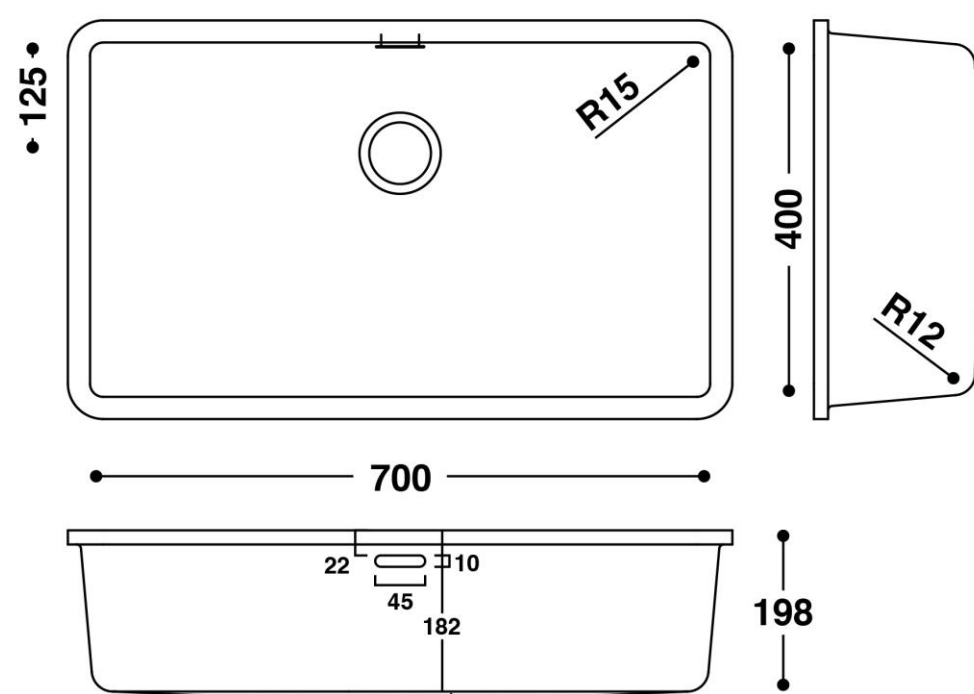
ESSENTIALS CHARACTERISTICS	PERFORMANCE	Harmonized specification
Fitness for cleaning	PASS	EN 13301:2016+A1:2019
Resistance to load	PASS	EN 13301:2016+A1:2019
Protection against overflow	CLASS 20 **	EN 13301:2016+A1:2019
Durability	PASS	EN 13301:2016+A1:2019

** Class 00 for models without overflow.

■ RCS 704 – Kitchen application



MINIMUM 8% RECYCLED CONTENT
PRE-CONSUMER



■ Dimensions, Weight, and Packaging Information

RCS 704	
LENGTH	700 mm
WITDH	400 mm
HEIGHT	198 mm
INSIDE RADIUS R	15 mm

RCS 704	
NET WEIGHT	12.8 kg
PACKAGING WEIGHT	1.7 kg
GROSS WEIGHT	14.5 kg
PACKAGING DIMENSIONS (H x W x L)	250 x 530 x 835 mm

■ Conformity to EN 13310:2016+A1:2019

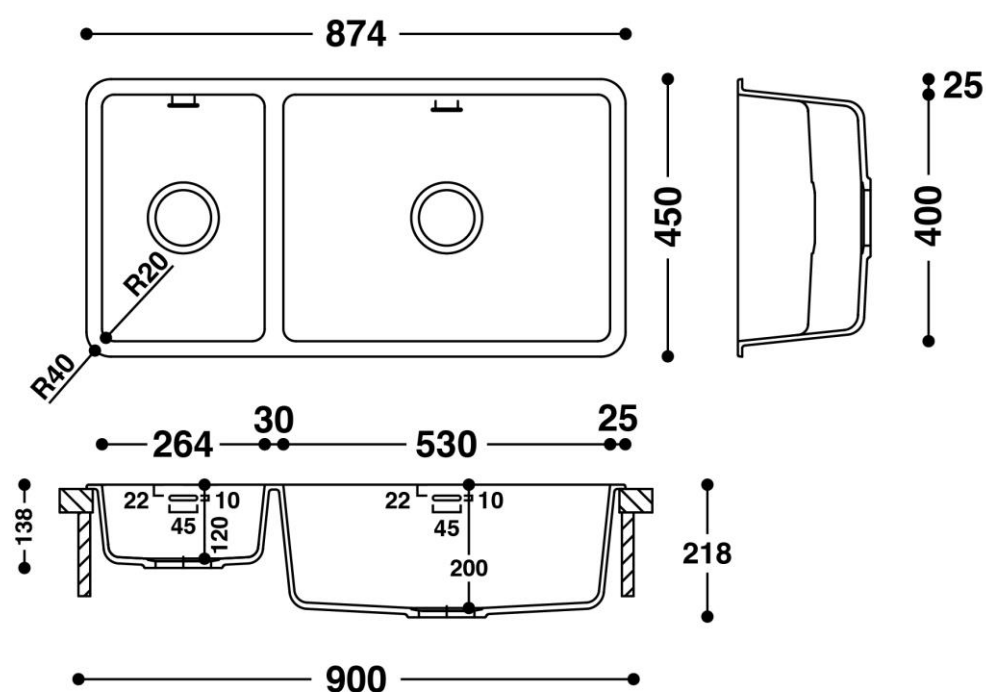
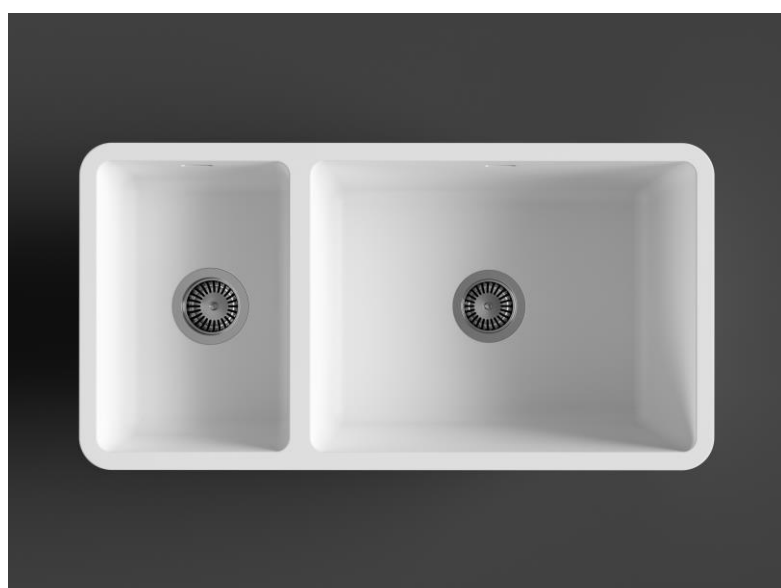
ESSENTIALS CHARACTERISTICS	PERFORMANCE	Harmonized specification
Fitness for cleaning	PASS	EN 13301:2016+A1:2019
Resistance to load	PASS	EN 13301:2016+A1:2019
Protection against overflow	CLASS 20 **	EN 13301:2016+A1:2019
Durability	PASS	EN 13301:2016+A1:2019

** Class 00 for models without overflow.

■ RCS 824 D – Kitchen application



MINIMUM 8% RECYCLED CONTENT
PRE-CONSUMER



■ Dimensions, Weight, and Packaging Information

RCS 824 D	
LENGTH	530 / 264 mm
WITDTH	400 mm
HEIGHT	218 / 138 mm
INSIDE RADIUS R	20 mm

RCS 824 D	
NET WEIGHT	16.5 kg
PACKAGING WEIGHT	2.5 kg
GROSS WEIGHT	19 kg
PACKAGING DIMENSIONS (H x W x L)	290 x 530 x 960 mm

■ Conformity to EN 13310:2016+A1:2019

ESSENTIALS CHARACTERISTICS	PERFORMANCE	Harmonized specification
Fitness for cleaning	PASS	EN 13301:2016+A1:2019
Resistance to load	PASS	EN 13301:2016+A1:2019
Protection against overflow	CLASS 20 **	EN 13301:2016+A1:2019
Durability	PASS	EN 13301:2016+A1:2019

** Class 00 for models without overflow.

HI·MACS

Solid Surface Material

LX Hausys Europe GmbH
Lyoner Str. 15
60528 Frankfurt am Main
Germany