

HI·MACS

The shape of your ideas

TECHNICAL DATA SHEET

# BASINS: Bathroom & Healthcare applications

Solid Surface Material

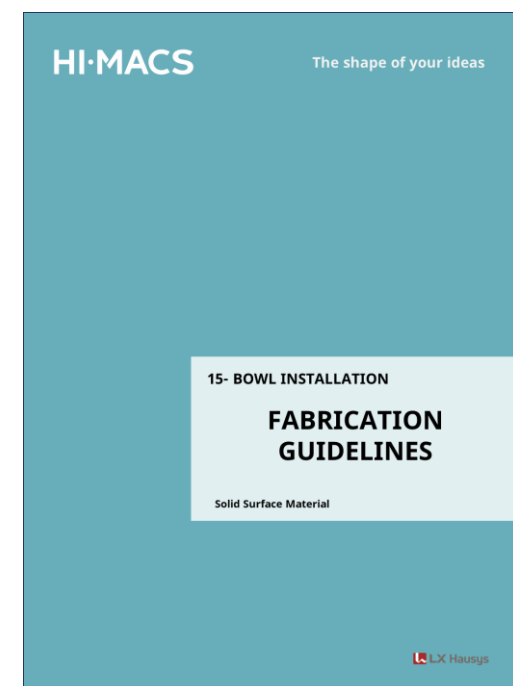
HIMACS basins for bathroom applications are designed to be combined with HIMACS sheets and being flush-mounted, top-mounted or installed beneath the surface, depending on the model. The result is a single-cast, extremely hygienic solution that is easy to clean and maintain.

## 1. INSTALLATION GUIDELINES

HIMACS basins for bathroom and healthcare applications are designed to be flush-mounted, top-mounted, or undermounted beneath the panels.

All installation information is detailed in the document.

### 15-FABRICATION GUIDELINES – BOWL INSTALLATION



## 2. PACKAGING & TRANSPORTATION

HIMACS basins for bathroom and healthcare applications are sustainably packaged. As a responsible manufacturer, LX Hausys has eliminated all non-recyclable materials from its packaging. Please recycle the packaging in accordance with local regulations.



**Reminder:** All HIMACS basins for bathroom and healthcare applications are carefully packed and transported to prevent product damage. The HIMACS warranty applies from the moment the goods leave our logistics hub until delivery to the customer or distributor. Any damage incurred during subsequent transport cannot be claimed under the HIMACS warranty. Please refer to the transportation regulations applicable in your region.

## 3. PRODUCT DESCRIPTION

HIMACS basins for bathroom applications, healthcare and/or PRM (Person with Reduced Mobility) applications are detailed in the following pages.

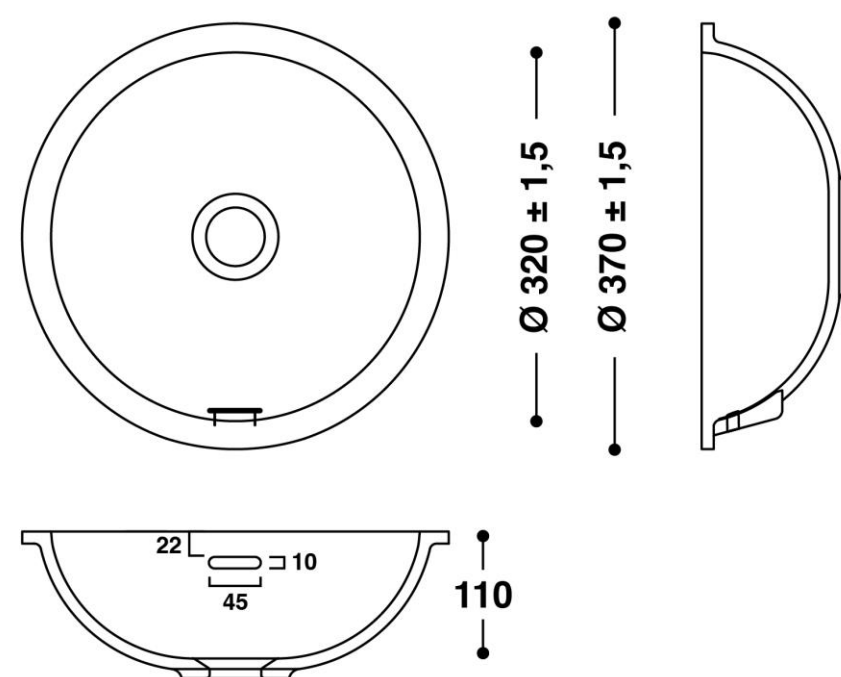
### Remarks:

- HIMACS basins RCB 523, RCB4232, RCB 6232, RCB 5530, RCB 4628, HIMACS top mounted basins and Baby Bath are only available without overflow.
- All other HIMACS basins are available with and without overflow.

## RCB 320 – Bathroom application



MINIMUM 8% RECYCLED CONTENT  
PRE-CONSUMER



## Dimensions, Weight, and Packaging Information

RCB 320	
DIAMETER	320 mm
HEIGHT	110 mm

RCB 320	
NET WEIGHT	3.8 kg
PACKAGING WEIGHT	1.2 kg
GROSS WEIGHT	5 kg
PACKAGING DIMENSIONS ( H x W x L )	200 x 450 x 450 mm

## Conformity to EN 14688:2016 + A1:2019

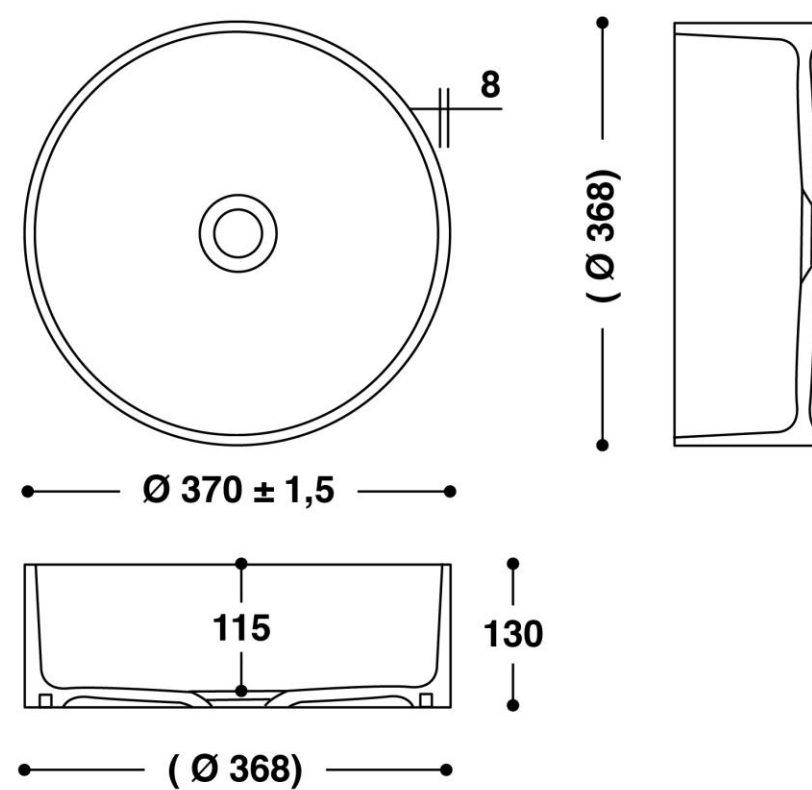
ESSENTIALS CHARACTERISTICS	PERFORMANCE	Harmonized specification
Fitness for cleaning	PASS	EN 14688:2016 + A1:2019
Resistance to load	PASS	EN 14688:2016 + A1:2019
Protection against overflow	CLASS 20 **	EN 14688:2016 + A1:2019
Durability	PASS	EN 14688:2016 + A1:2019

\*\* Class 00 for models without overflow.

## RCB 330C – Bathroom application Top mount installation



MINIMUM 8% RECYCLED CONTENT  
PRE-CONSUMER



## Dimensions, Weight, and Packaging Information

RCB 330C	
DIAMETER	368 mm
HEIGHT	130 mm

RCB 330C	
NET WEIGHT	4.9 kg
PACKAGING WEIGHT	0.7 kg
GROSS WEIGHT	5.6 kg
PACKAGING DIMENSIONS ( H x W x L )	185 x 450 x 450 mm

## Conformity to EN 14688:2016 + A1:2019

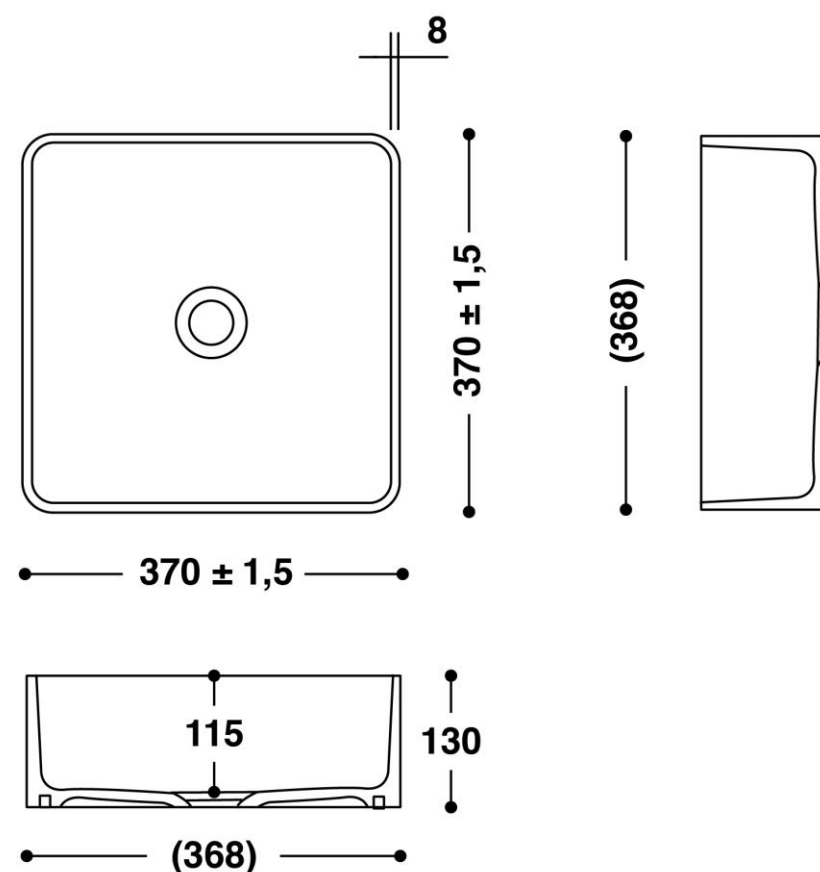
ESSENTIALS CHARACTERISTICS	PERFORMANCE	Harmonized specification
Fitness for cleaning	PASS	EN 14688:2016 + A1:2019
Resistance to load	PASS	EN 14688:2016 + A1:2019
Protection against overflow	CLASS 20 **	EN 14688:2016 + A1:2019
Durability	PASS	EN 14688:2016 + A1:2019

\*\* Class 00 for models without overflow.

## RCB 330S – Bathroom application Top mount installation



MINIMUM 8% RECYCLED CONTENT  
PRE-CONSUMER



## Dimensions, Weight, and Packaging Information

RCB 330S	
LENGTH	368 mm
WIDTH	368 mm
HEIGHT	130 mm

RCB 330S	
NET WEIGHT	6.6 kg
PACKAGING WEIGHT	0.7 kg
GROSS WEIGHT	7.3 kg
PACKAGING DIMENSIONS ( H x W x L )	185 x 450 x 450 mm

## Conformity to EN 14688:2016 + A1:2019

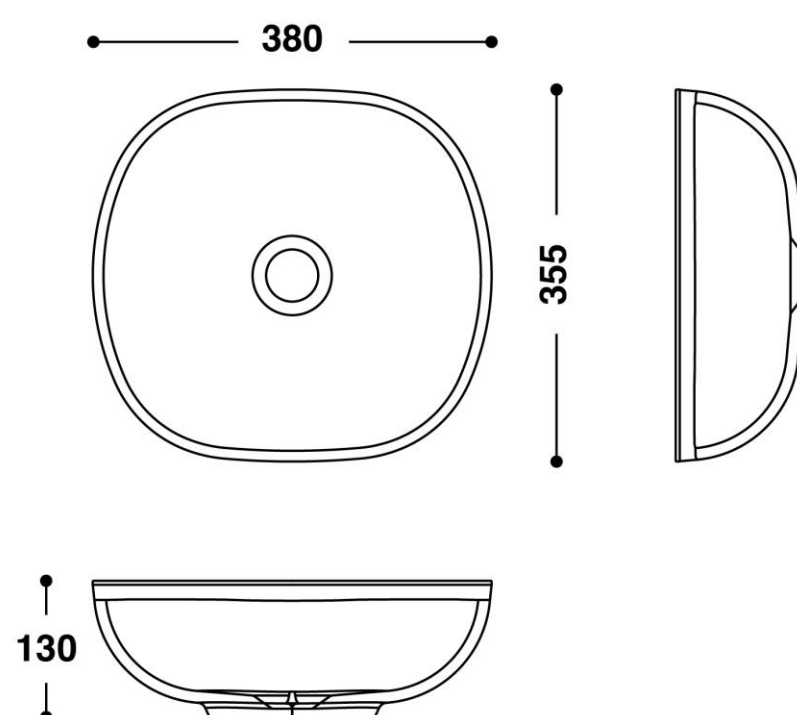
ESSENTIALS CHARACTERISTICS	PERFORMANCE	Harmonized specification
Fitness for cleaning	PASS	EN 14688:2016 + A1:2019
Resistance to load	PASS	EN 14688:2016 + A1:2019
Protection against overflow	CLASS 20 **	EN 14688:2016 + A1:2019
Durability	PASS	EN 14688:2016 + A1:2019

\*\* Class 00 for models without overflow.

## RCB 3835 – Bathroom application Top mount installation



MINIMUM 8% RECYCLED CONTENT  
PRE-CONSUMER



## Dimensions, Weight, and Packaging Information

RCB 3835	
LENGTH	380 mm
WIDTH	355 mm
HEIGHT	130 mm

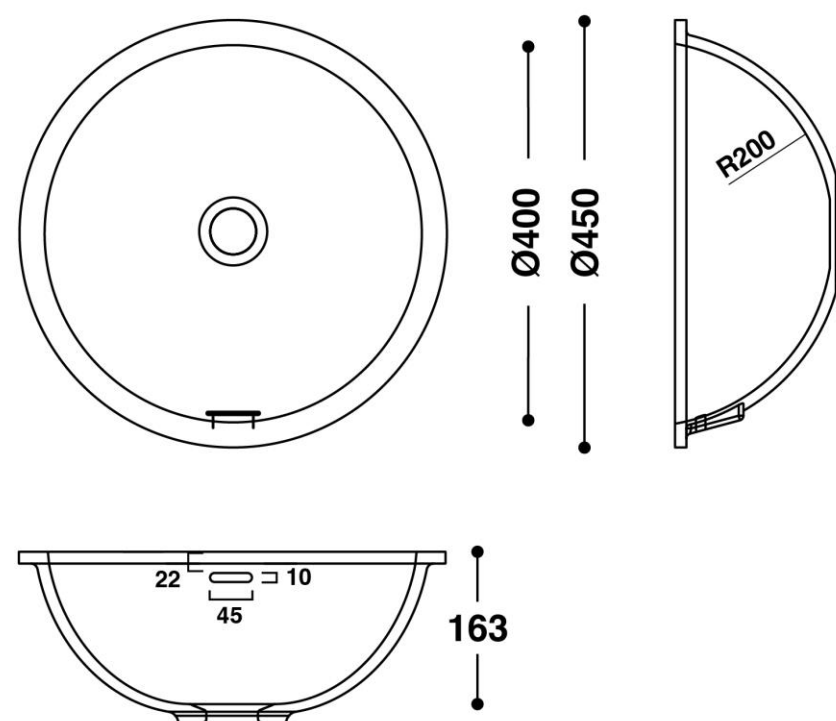
RCB 3835	
NET WEIGHT	3.8 kg
PACKAGING WEIGHT	1 kg
GROSS WEIGHT	4.8 kg
PACKAGING DIMENSIONS ( H x W x L )	200 x 445 x 470 mm

## Conformity to EN 14688:2016 + A1:2019

ESSENTIALS CHARACTERISTICS	PERFORMANCE	Harmonized specification
Fitness for cleaning	PASS	EN 14688:2016 + A1:2019
Resistance to load	PASS	EN 14688:2016 + A1:2019
Protection against overflow	CLASS 20 **	EN 14688:2016 + A1:2019
Durability	PASS	EN 14688:2016 + A1:2019

\*\* Class 00 for models without overflow.

## ■ RCB 400 – Bathroom application



MINIMUM 8% RECYCLED CONTENT  
PRE-CONSUMER

## ■ Dimensions, Weight, and Packaging Information

RCB 400	
DIAMETER	400 mm
HEIGHT	163 mm

RCB 400	
NET WEIGHT	5.5 kg
PACKAGING WEIGHT	1.5 kg
GROSS WEIGHT	7 kg
PACKAGING DIMENSIONS ( H x W x L )	250 x 535 x 535 mm

## ■ Conformity to EN 14688:2016 + A1:2019

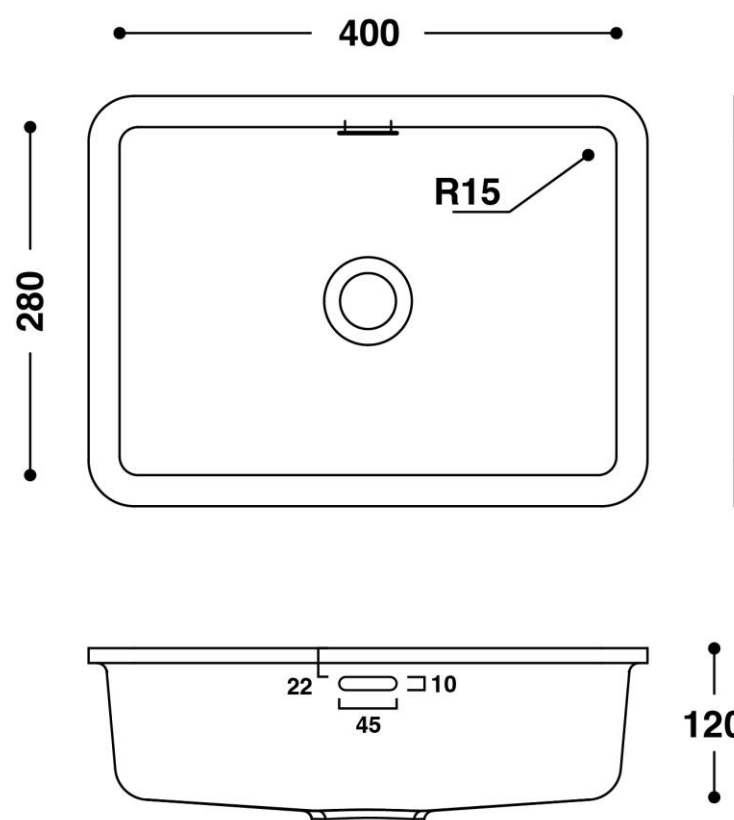
ESSENTIALS CHARACTERISTICS	PERFORMANCE	Harmonized specification
Fitness for cleaning	PASS	EN 14688:2016 + A1:2019
Resistance to load	PASS	EN 14688:2016 + A1:2019
Protection against overflow	CLASS 20 **	EN 14688:2016 + A1:2019
Durability	PASS	EN 14688:2016 + A1:2019

\*\* Class 00 for models without overflow.

## RCB 402 – Bathroom application



MINIMUM 8% RECYCLED CONTENT  
PRE-CONSUMER



## Dimensions, Weight, and Packaging Information

RCB 402	
LENGTH	400 mm
WIDTH	280 mm
HEIGHT	120 mm
INSIDE RADIUS	15 mm

RCB 402	
NET WEIGHT	5.4 kg
PACKAGING WEIGHT	0.9 kg
GROSS WEIGHT	6.3 kg
PACKAGING DIMENSIONS ( H x W x L )	200 x 420 x 530 mm

## Conformity to EN 14688:2016 + A1:2019

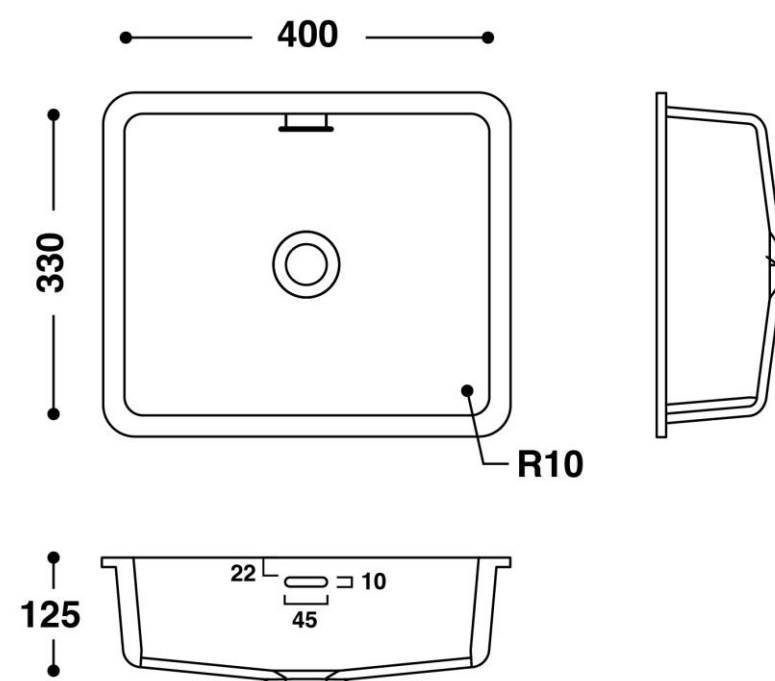
ESSENTIALS CHARACTERISTICS	PERFORMANCE	Harmonized specification
Fitness for cleaning	PASS	EN 14688:2016 + A1:2019
Resistance to load	PASS	EN 14688:2016 + A1:2019
Protection against overflow	CLASS 20 **	EN 14688:2016 + A1:2019
Durability	PASS	EN 14688:2016 + A1:2019

\*\* Class 00 for models without overflow.

## RCB 4033 – Bathroom application



MINIMUM 8% RECYCLED CONTENT  
PRE-CONSUMER



## Dimensions, Weight, and Packaging Information

RCB 4033	
LENGTH	400 mm
WIDTH	330 mm
HEIGHT	125 mm
INSIDE RADIUS	10 mm

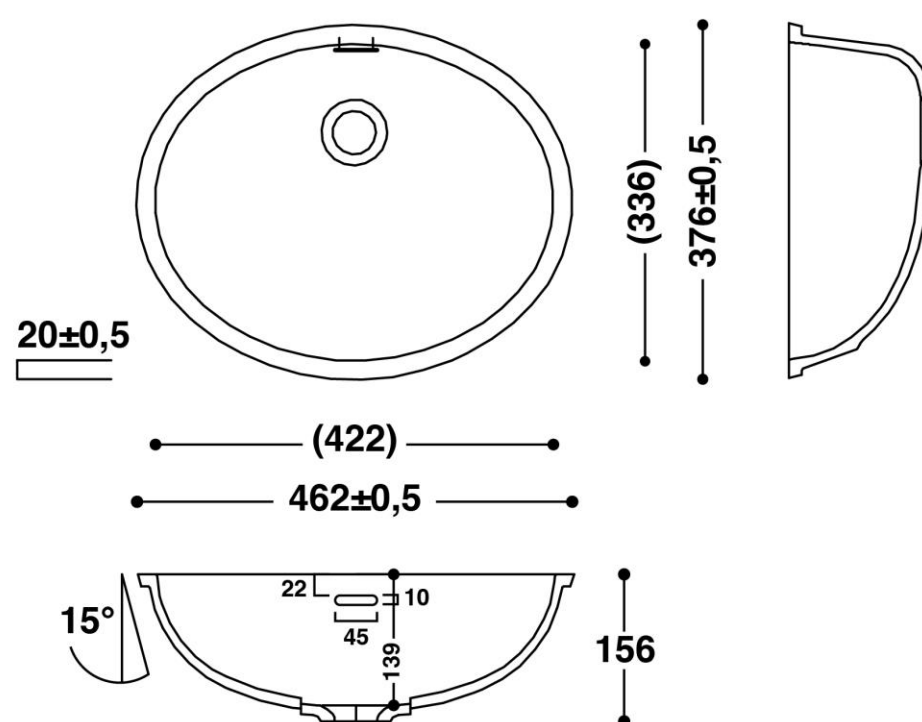
RCB 402	
NET WEIGHT	5.5 kg
PACKAGING WEIGHT	1.2 kg
GROSS WEIGHT	6.7 kg
PACKAGING DIMENSIONS ( H x W x L )	210 x 450 x 420 mm

## Conformity to EN 14688:2016 + A1:2019

ESSENTIALS CHARACTERISTICS	PERFORMANCE	Harmonized specification
Fitness for cleaning	PASS	EN 14688:2016 + A1:2019
Resistance to load	PASS	EN 14688:2016 + A1:2019
Protection against overflow	CLASS 20 **	EN 14688:2016 + A1:2019
Durability	PASS	EN 14688:2016 + A1:2019

\*\* Class 00 for models without overflow.

## ■ RCB 422 – Bathroom application



## ■ Dimensions, Weight, and Packaging Information

RCB 422	
LENGTH	422 mm
WIDTH	336 mm
HEIGHT	156 mm

RCB 422	
NET WEIGHT	4.1 kg
PACKAGING WEIGHT	1.3 kg
GROSS WEIGHT	5.4 kg
PACKAGING DIMENSIONS ( H x W x L )	200 x 480 x 610 mm

## ■ Conformity to EN 14688:2016 + A1:2019

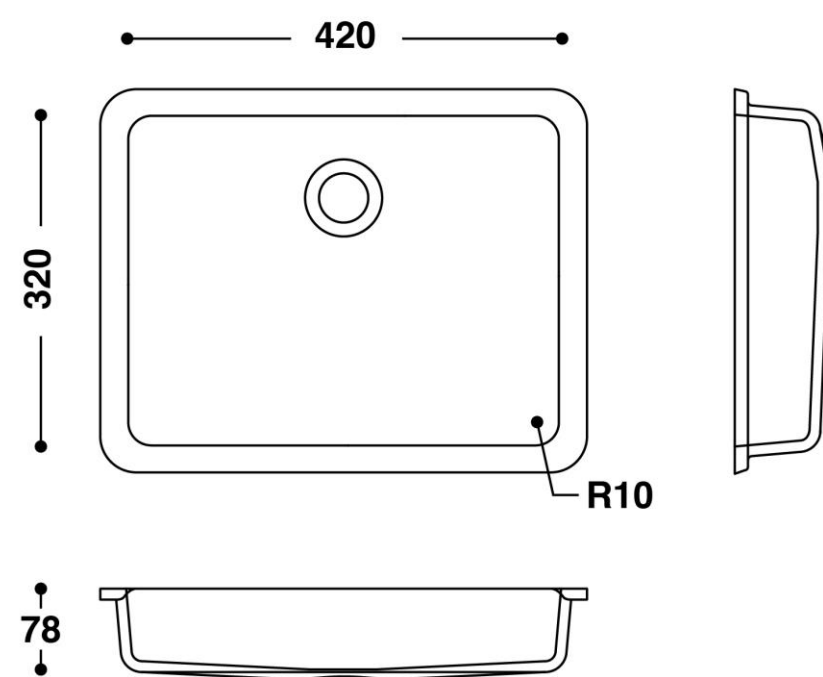
ESSENTIALS CHARACTERISTICS	PERFORMANCE	Harmonized specification
Fitness for cleaning	PASS	EN 14688:2016 + A1:2019
Resistance to load	PASS	EN 14688:2016 + A1:2019
Protection against overflow	CLASS 20 **	EN 14688:2016 + A1:2019
Durability	PASS	EN 14688:2016 + A1:2019

\*\* Class 00 for models without overflow.

## RCB 4232 – Bathroom, Healthcare application For persons with reduced mobility (PRM)



MINIMUM 8% RECYCLED CONTENT  
PRE-CONSUMER



## Dimensions, Weight, and Packaging Information

RCB 4232	
LENGTH	420 mm
WIDTH	320 mm
HEIGHT	78 mm
INSIDE RADIUS	10 mm

RCB 4232	
NET WEIGHT	4.8 kg
PACKAGING WEIGHT	1.2 kg
GROSS WEIGHT	6 kg
PACKAGING DIMENSIONS ( H x W x L )	165 x 460 x 555 mm

## Conformity to EN 14688:2016 + A1:2019

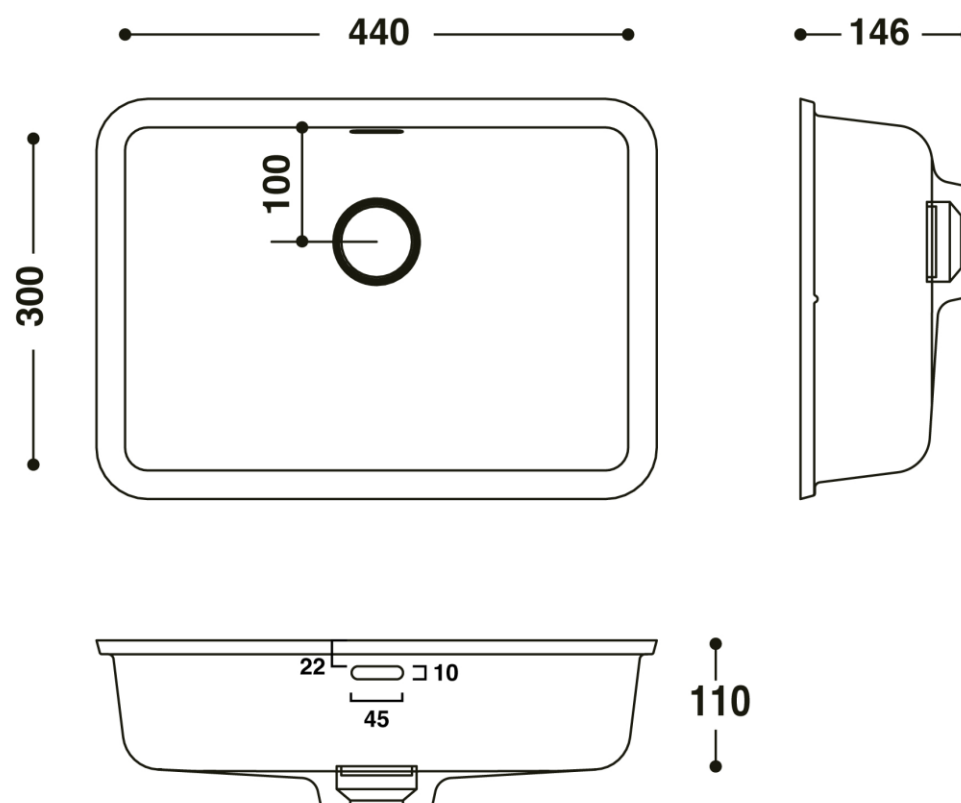
ESSENTIALS CHARACTERISTICS	PERFORMANCE	Harmonized specification
Fitness for cleaning	PASS	EN 14688:2016 + A1:2019
Resistance to load	PASS	EN 14688:2016 + A1:2019
Protection against overflow	CLASS 20 **	EN 14688:2016 + A1:2019
Durability	PASS	EN 14688:2016 + A1:2019

\*\* Class 00 for models without overflow.

## RCB 4430 – Bathroom application



MINIMUM 8% RECYCLED CONTENT  
PRE-CONSUMER



## Dimensions, Weight, and Packaging Information

RCB 4430	
LENGTH	440 mm
WIDTH	300 mm
HEIGHT	110 mm

RCB 4430	
NET WEIGHT	6 kg
PACKAGING WEIGHT	1.1 kg
GROSS WEIGHT	7.1 kg
PACKAGING DIMENSIONS ( H x W x L )	150 x 400 x 540 mm

## Conformity to EN 14688:2016 + A1:2019

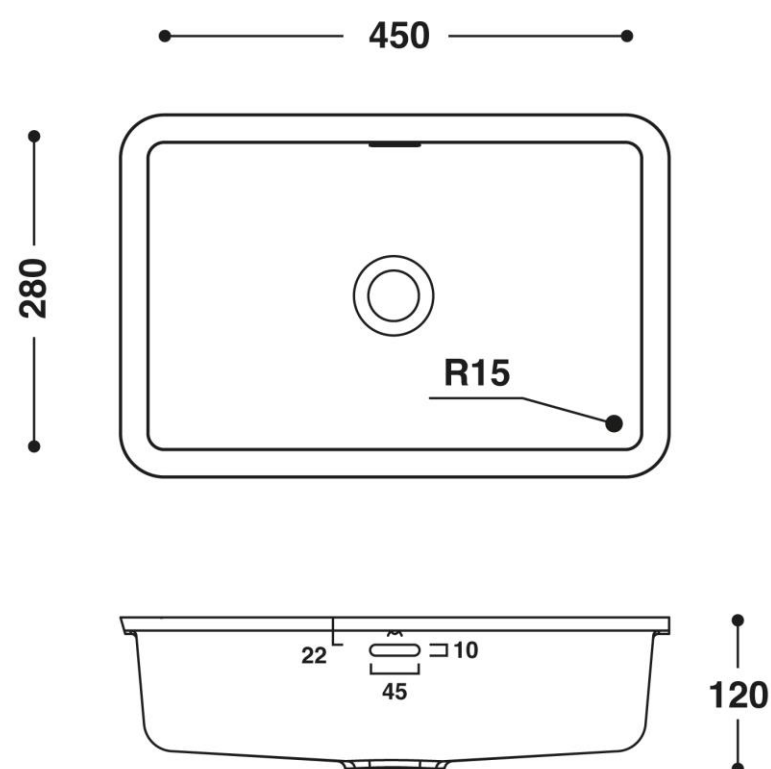
ESSENTIALS CHARACTERISTICS	PERFORMANCE	Harmonized specification
Fitness for cleaning	PASS	EN 14688:2016 + A1:2019
Resistance to load	PASS	EN 14688:2016 + A1:2019
Protection against overflow	CLASS 20 **	EN 14688:2016 + A1:2019
Durability	PASS	EN 14688:2016 + A1:2019

\*\* Class 00 for models without overflow.

## RCB 452 – Bathroom application



MINIMUM 8% RECYCLED CONTENT  
PRE-CONSUMER



## Dimensions, Weight, and Packaging Information

RCB 452	
LENGTH	450 mm
WIDTH	280 mm
HEIGHT	120 mm

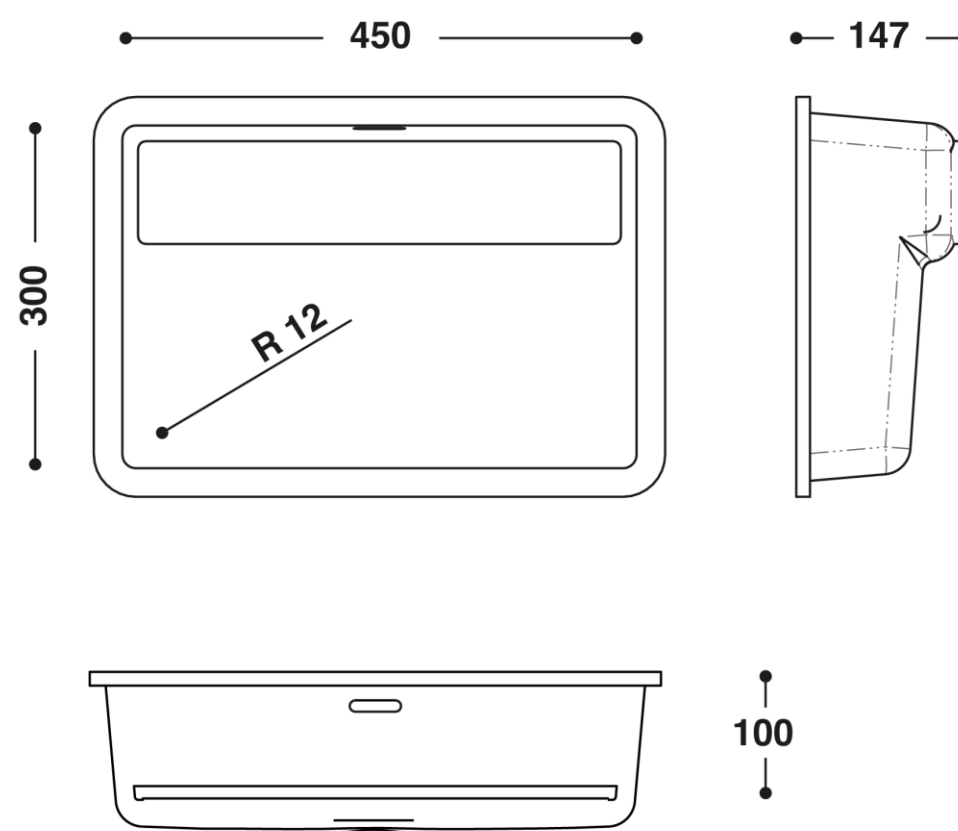
RCB 452	
NET WEIGHT	5.9 kg
PACKAGING WEIGHT	1 kg
GROSS WEIGHT	6.9 kg
PACKAGING DIMENSIONS ( H x W x L )	160 x 380 x 550 mm

## Conformity to EN 14688:2016 + A1:2019

ESSENTIALS CHARACTERISTICS	PERFORMANCE	Harmonized specification
Fitness for cleaning	PASS	EN 14688:2016 + A1:2019
Resistance to load	PASS	EN 14688:2016 + A1:2019
Protection against overflow	CLASS 20 **	EN 14688:2016 + A1:2019
Durability	PASS	EN 14688:2016 + A1:2019

\*\* Class 00 for models without overflow.

## RCB 4530 – Bathroom application



MINIMUM 8% RECYCLED CONTENT  
PRE-CONSUMER

## Dimensions, Weight, and Packaging Information

RCB 4530	
LENGTH	450 mm
WIDTH	300 mm
HEIGHT	100 mm
INSIDE RADIUS	12 mm

RCB 4530	
NET WEIGHT	7.1 kg
PACKAGING WEIGHT	1.3 kg
GROSS WEIGHT	8.4 kg
PACKAGING DIMENSIONS ( H x W x L )	150 x 400 x 550 mm

## Conformity to EN 14688:2016 + A1:2019

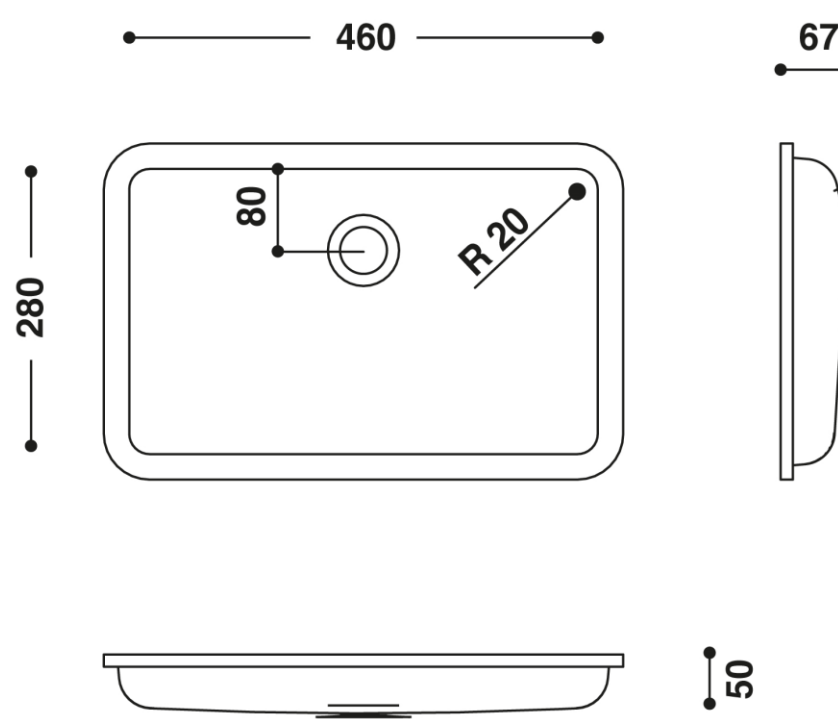
ESSENTIALS CHARACTERISTICS	PERFORMANCE	Harmonized specification
Fitness for cleaning	PASS	EN 14688:2016 + A1:2019
Resistance to load	PASS	EN 14688:2016 + A1:2019
Protection against overflow	CLASS 20 **	EN 14688:2016 + A1:2019
Durability	PASS	EN 14688:2016 + A1:2019

\*\* Class 00 for models without overflow.

## ■ RCB 4628 – Bathroom, Healthcare application For persons with reduced mobility (PRM)



MINIMUM 8% RECYCLED CONTENT  
PRE-CONSUMER



## ■ Dimensions, Weight, and Packaging Information

RCB 4628	
LENGTH	460 mm
WIDTH	280 mm
HEIGHT	50 mm
INSIDE RADIUS	20 mm

RCB 4628	
NET WEIGHT	4.2 kg
PACKAGING WEIGHT	0.7 kg
GROSS WEIGHT	4.9 kg
PACKAGING DIMENSIONS ( H x W x L)	100 x 360 x 560 mm

## ■ Conformity to EN 14688:2016 + A1:2019

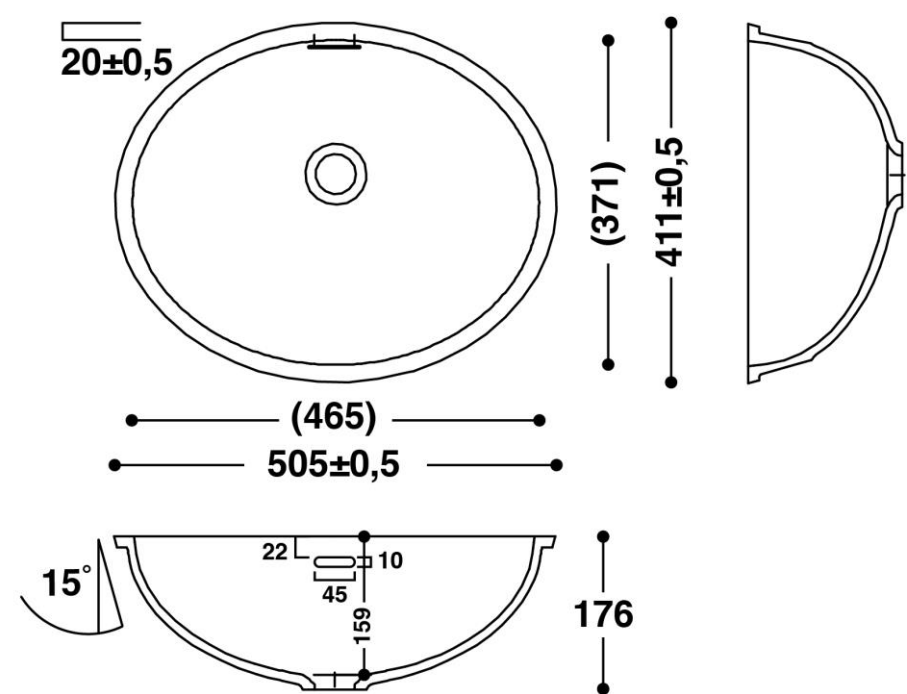
ESSENTIALS CHARACTERISTICS	PERFORMANCE	Harmonized specification
Fitness for cleaning	PASS	EN 14688:2016 + A1:2019
Resistance to load	PASS	EN 14688:2016 + A1:2019
Protection against overflow	CLASS 20 **	EN 14688:2016 + A1:2019
Durability	PASS	EN 14688:2016 + A1:2019

\*\* Class 00 for models without overflow.

## ■ RCB 465 – Bathroom application



MINIMUM 8% RECYCLED CONTENT  
PRE-CONSUMER



## ■ Dimensions, Weight, and Packaging Information

RCB 465	
LENGTH	465 mm
WIDTH	371 mm
HEIGHT	176 mm

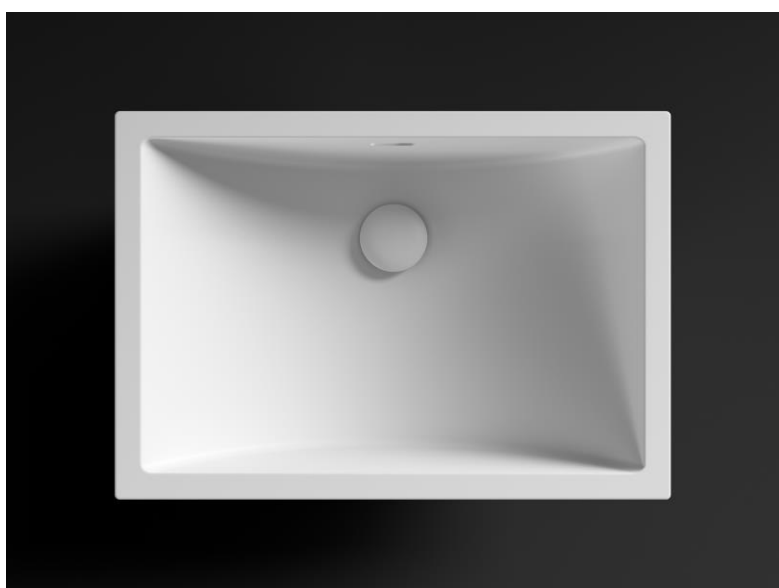
RCB 465	
NET WEIGHT	5.5 kg
PACKAGING WEIGHT	1.6 kg
GROSS WEIGHT	6.6 kg
PACKAGING DIMENSIONS ( H x W x L )	220 x 525 x 665 mm

## ■ Conformity to EN 14688:2016 + A1:2019

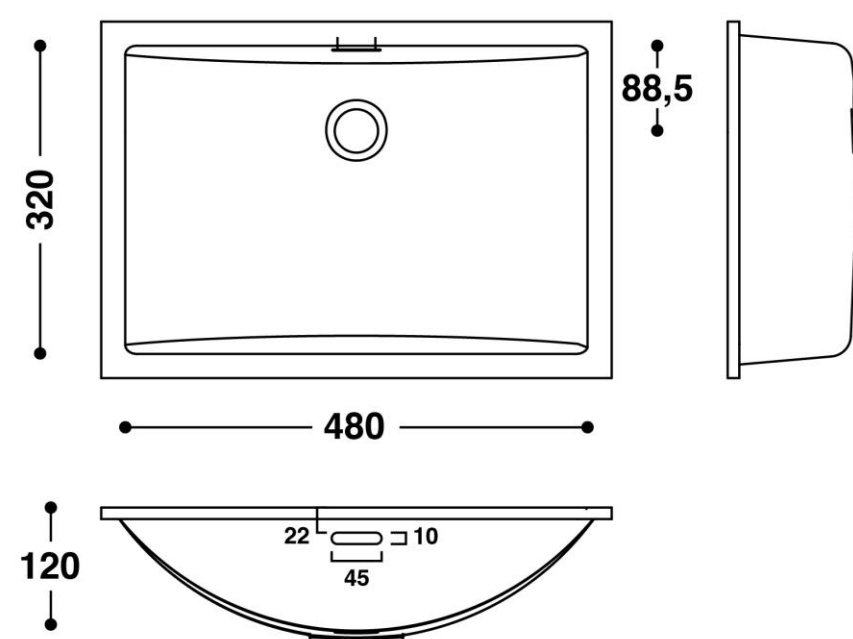
ESSENTIALS CHARACTERISTICS	PERFORMANCE	Harmonized specification
Fitness for cleaning	PASS	EN 14688:2016 + A1:2019
Resistance to load	PASS	EN 14688:2016 + A1:2019
Protection against overflow	CLASS 20 **	EN 14688:2016 + A1:2019
Durability	PASS	EN 14688:2016 + A1:2019

\*\* Class 00 for models without overflow.

## ■ RCB 483 – Bathroom application



MINIMUM 8% RECYCLED CONTENT  
PRE-CONSUMER



## ■ Dimensions, Weight, and Packaging Information

RCB 483	
LENGTH	480 mm
WIDTH	320 mm
HEIGHT	120 mm

RCB 483	
NET WEIGHT	5.8 kg
PACKAGING WEIGHT	1.1 kg
GROSS WEIGHT	6.9 kg
PACKAGING DIMENSIONS ( H x W x L )	200 x 460 x 610 mm

## ■ Conformity to EN 14688:2016 + A1:2019

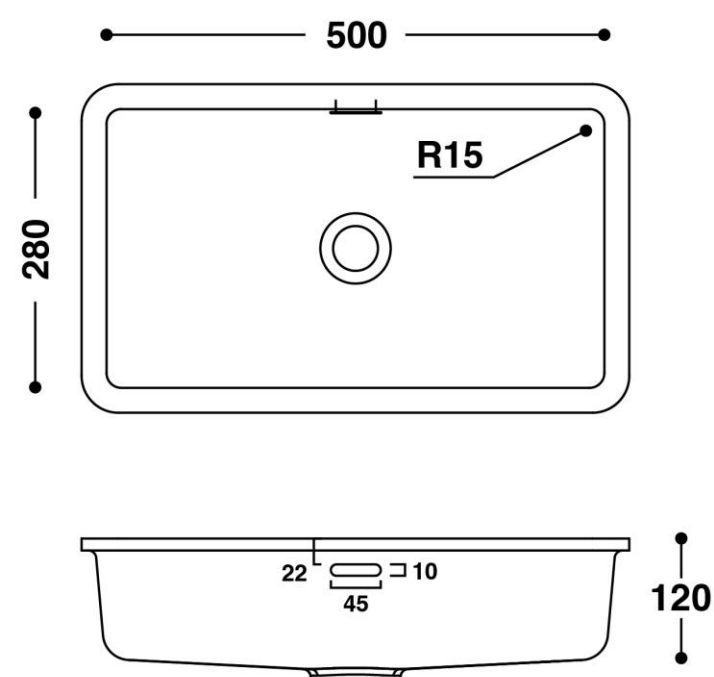
ESSENTIALS CHARACTERISTICS	PERFORMANCE	Harmonized specification
Fitness for cleaning	PASS	EN 14688:2016 + A1:2019
Resistance to load	PASS	EN 14688:2016 + A1:2019
Protection against overflow	CLASS 20 **	EN 14688:2016 + A1:2019
Durability	PASS	EN 14688:2016 + A1:2019

\*\* Class 00 for models without overflow.

## ■ RCB 502 – Bathroom application



MINIMUM 8% RECYCLED CONTENT  
PRE-CONSUMER



## ■ Dimensions, Weight, and Packaging Information

RCB 502	
LENGTH	500 mm
WIDTH	280 mm
HEIGHT	120 mm
INSIDE RADIUS	15 mm

RCB 502	
NET WEIGHT	6.9 kg
PACKAGING WEIGHT	1 kg
GROSS WEIGHT	7.9 kg
PACKAGING DIMENSIONS ( H x W x L )	200 x 415 x 630 mm

## ■ Conformity to EN 14688:2016 + A1:2019

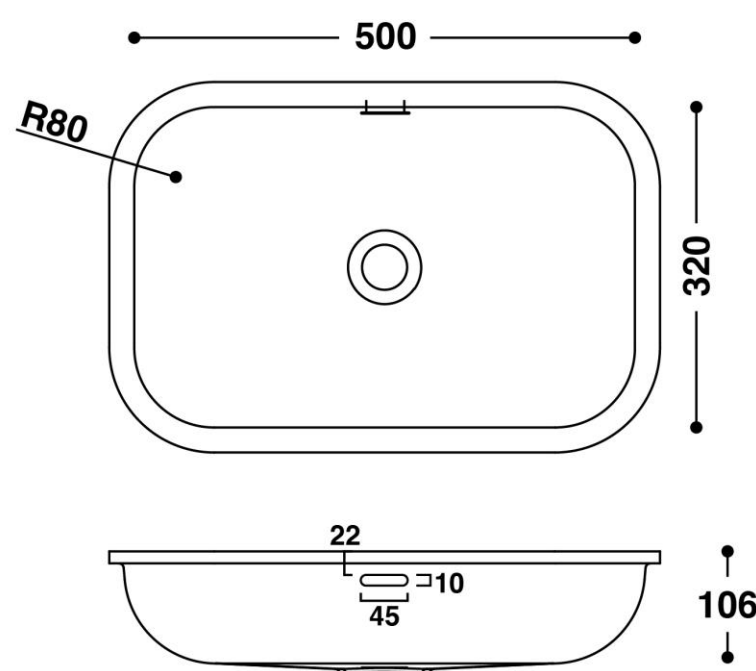
ESSENTIALS CHARACTERISTICS	PERFORMANCE	Harmonized specification
Fitness for cleaning	PASS	EN 14688:2016 + A1:2019
Resistance to load	PASS	EN 14688:2016 + A1:2019
Protection against overflow	CLASS 20 **	EN 14688:2016 + A1:2019
Durability	PASS	EN 14688:2016 + A1:2019

\*\* Class 00 for models without overflow.

## ■ RCB 503 – Bathroom application



MINIMUM 8% RECYCLED CONTENT  
PRE-CONSUMER



## ■ Dimensions, Weight, and Packaging Information

RCB 503	
LENGTH	500 mm
WIDTH	320 mm
HEIGHT	106 mm
INSIDE RADIUS	80 mm

RCB 503	
NET WEIGHT	5.4 kg
PACKAGING WEIGHT	1.1 kg
GROSS WEIGHT	6.5 kg
PACKAGING DIMENSIONS ( H x W x L )	185 x 460 x 630 mm

## ■ Conformity to EN 14688:2016 + A1:2019

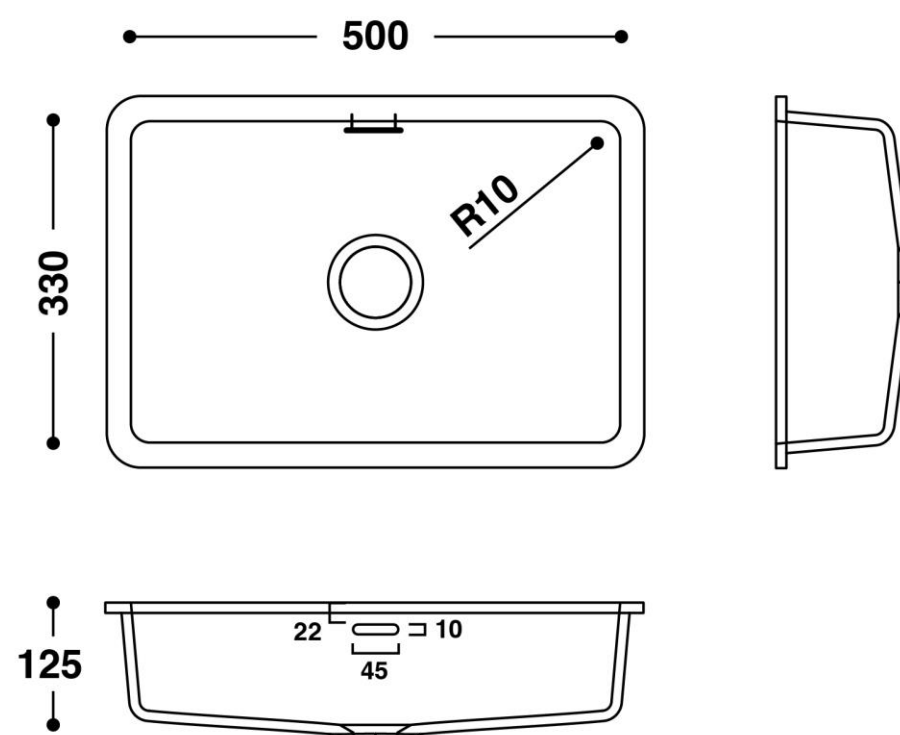
ESSENTIALS CHARACTERISTICS	PERFORMANCE	Harmonized specification
Fitness for cleaning	PASS	EN 14688:2016 + A1:2019
Resistance to load	PASS	EN 14688:2016 + A1:2019
Protection against overflow	CLASS 20 **	EN 14688:2016 + A1:2019
Durability	PASS	EN 14688:2016 + A1:2019

\*\* Class 00 for models without overflow.

## RCB 5033 – Bathroom application



MINIMUM 8% RECYCLED CONTENT  
PRE-CONSUMER



## Dimensions, Weight, and Packaging Information

RCB 5033	
LENGTH	500 mm
WIDTH	330 mm
HEIGHT	125 mm
INSIDE RADIUS	10 mm

RCB 5033	
NET WEIGHT	6.5 kg
PACKAGING WEIGHT	1.2 kg
GROSS WEIGHT	6.5 kg
PACKAGING DIMENSIONS ( H x W x L )	210 x 450 x 610 mm

## Conformity to EN 14688:2016 + A1:2019

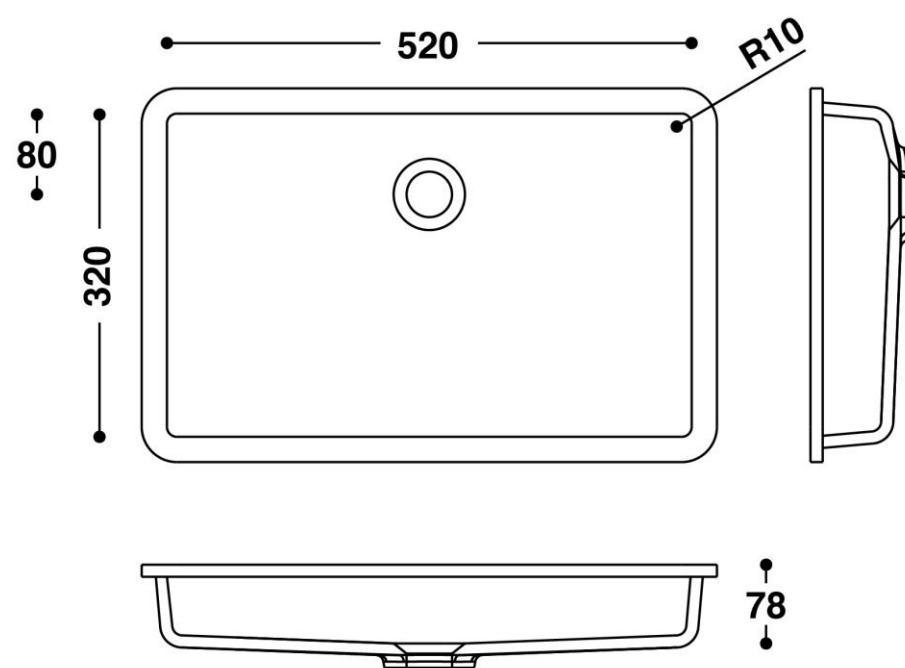
ESSENTIALS CHARACTERISTICS	PERFORMANCE	Harmonized specification
Fitness for cleaning	PASS	EN 14688:2016 + A1:2019
Resistance to load	PASS	EN 14688:2016 + A1:2019
Protection against overflow	CLASS 20 **	EN 14688:2016 + A1:2019
Durability	PASS	EN 14688:2016 + A1:2019

\*\* Class 00 for models without overflow.

## RCB 523 – Bathroom, Healthcare application For persons with reduced mobility (PRM)



MINIMUM 8% RECYCLED CONTENT  
PRE-CONSUMER



## Dimensions, Weight, and Packaging Information

RCB 523	
LENGTH	520 mm
WIDTH	320 mm
HEIGHT	78 mm
INSIDE RADIUS	10 mm

RCB 523	
NET WEIGHT	6.2 kg
PACKAGING WEIGHT	1 kg
GROSS WEIGHT	7.2 kg
PACKAGING DIMENSIONS ( H x W x L )	155 x 470 x 650 mm

## Conformity to EN 14688:2016 + A1:2019

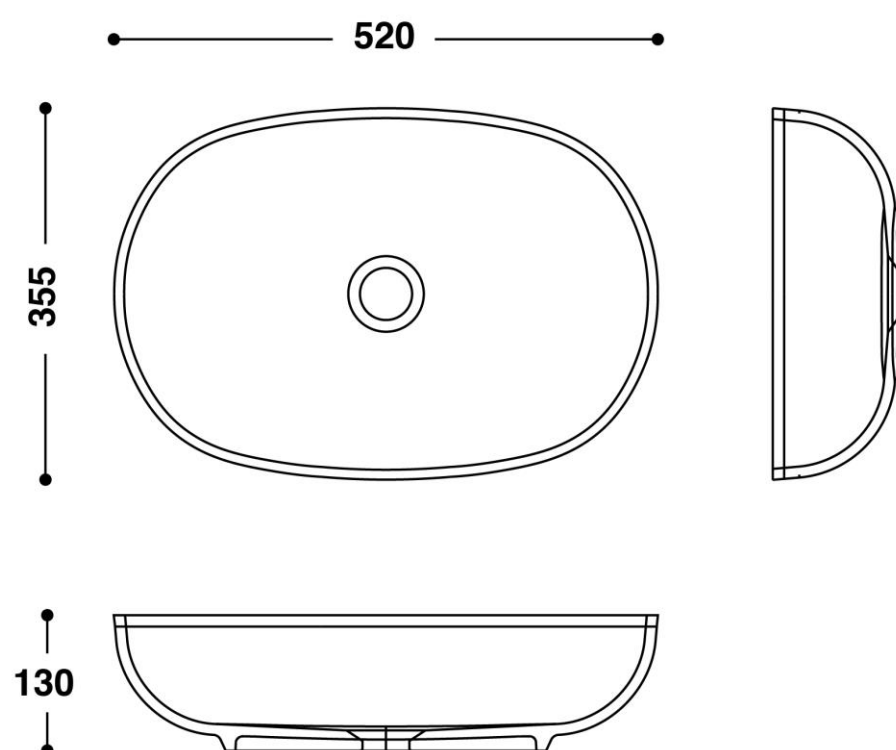
ESSENTIALS CHARACTERISTICS	PERFORMANCE	Harmonized specification
Fitness for cleaning	PASS	EN 14688:2016 + A1:2019
Resistance to load	PASS	EN 14688:2016 + A1:2019
Protection against overflow	CLASS 20 **	EN 14688:2016 + A1:2019
Durability	PASS	EN 14688:2016 + A1:2019

\*\* Class 00 for models without overflow.

## RCB 5235 – Bathroom application Top Mount installation



MINIMUM 8% RECYCLED CONTENT  
PRE-CONSUMER



## Dimensions, Weight, and Packaging Information

RCB 5235	
LENGTH	520 mm
WIDTH	355 mm
HEIGHT	130 mm

RCB 5235	
NET WEIGHT	4.6 kg
PACKAGING WEIGHT	1.2 kg
GROSS WEIGHT	5.8 kg
PACKAGING DIMENSIONS ( H x W x L )	195 x 450 x 605 mm

## Conformity to EN 14688:2016 + A1:2019

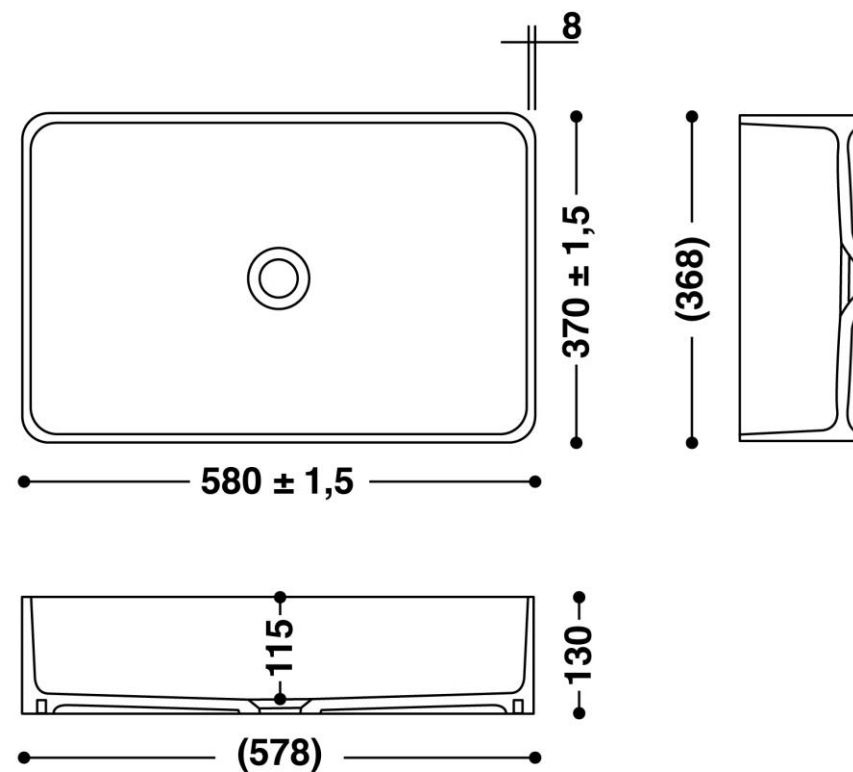
ESSENTIALS CHARACTERISTICS	PERFORMANCE	Harmonized specification
Fitness for cleaning	PASS	EN 14688:2016 + A1:2019
Resistance to load	PASS	EN 14688:2016 + A1:2019
Protection against overflow	CLASS 20 **	EN 14688:2016 + A1:2019
Durability	PASS	EN 14688:2016 + A1:2019

\*\* Class 00 for models without overflow.

## RCB 540R – Bathroom application Top Mount installation



MINIMUM 8% RECYCLED CONTENT  
PRE-CONSUMER



## Dimensions, Weight, and Packaging Information

RCB 540R	
LENGTH	580 mm
WIDTH	368 mm
HEIGHT	130 mm

RCB 540R	
NET WEIGHT	8.7 kg
PACKAGING WEIGHT	0.9 kg
GROSS WEIGHT	5.8 kg
PACKAGING DIMENSIONS ( H x W x L )	195 x 450 x 605 mm

## Conformity to EN 14688:2016 + A1:2019

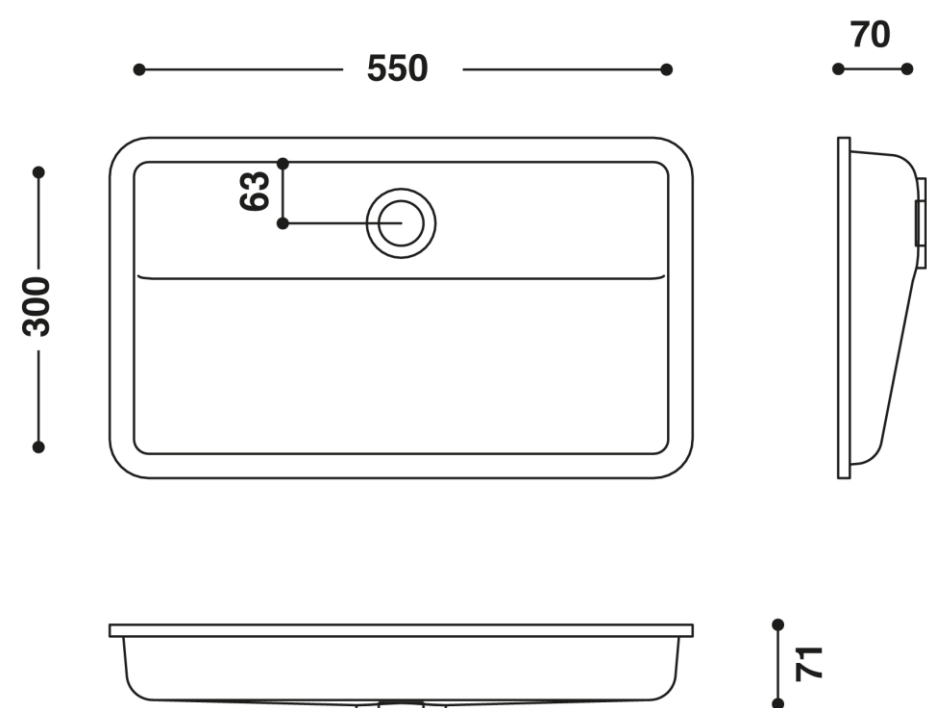
ESSENTIALS CHARACTERISTICS	PERFORMANCE	Harmonized specification
Fitness for cleaning	PASS	EN 14688:2016 + A1:2019
Resistance to load	PASS	EN 14688:2016 + A1:2019
Protection against overflow	CLASS 20 **	EN 14688:2016 + A1:2019
Durability	PASS	EN 14688:2016 + A1:2019

\*\* Class 00 for models without overflow.

## RCB 5530 – Bathroom, Healthcare application For persons with reduced mobility (P.R.M)



MINIMUM 8% RECYCLED CONTENT  
PRE-CONSUMER



## Dimensions, Weight, and Packaging Information

RCB 5530	
LENGTH	550 mm
WIDTH	300 mm
HEIGHT	70 mm

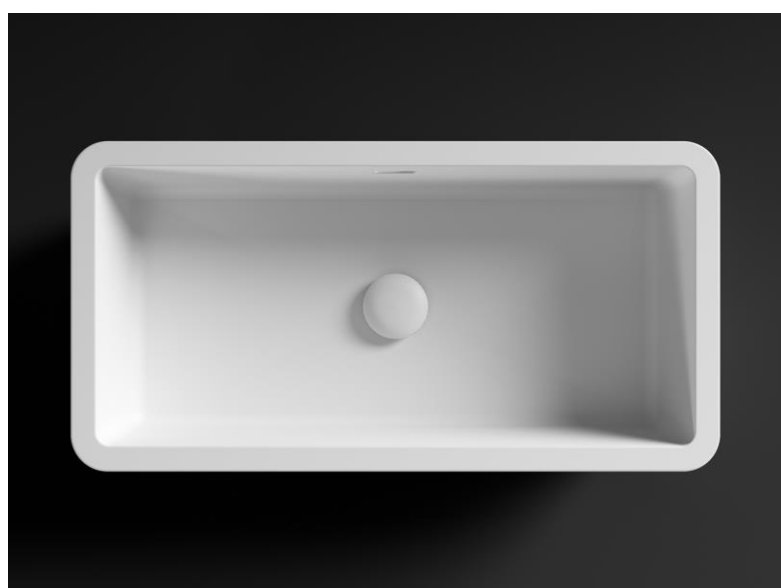
RCB 5530	
NET WEIGHT	5.5 kg
PACKAGING WEIGHT	1 kg
GROSS WEIGHT	6.5 kg
PACKAGING DIMENSIONS ( H x W x L )	120 x 400 x 650 mm

## Conformity to EN 14688:2016 + A1:2019

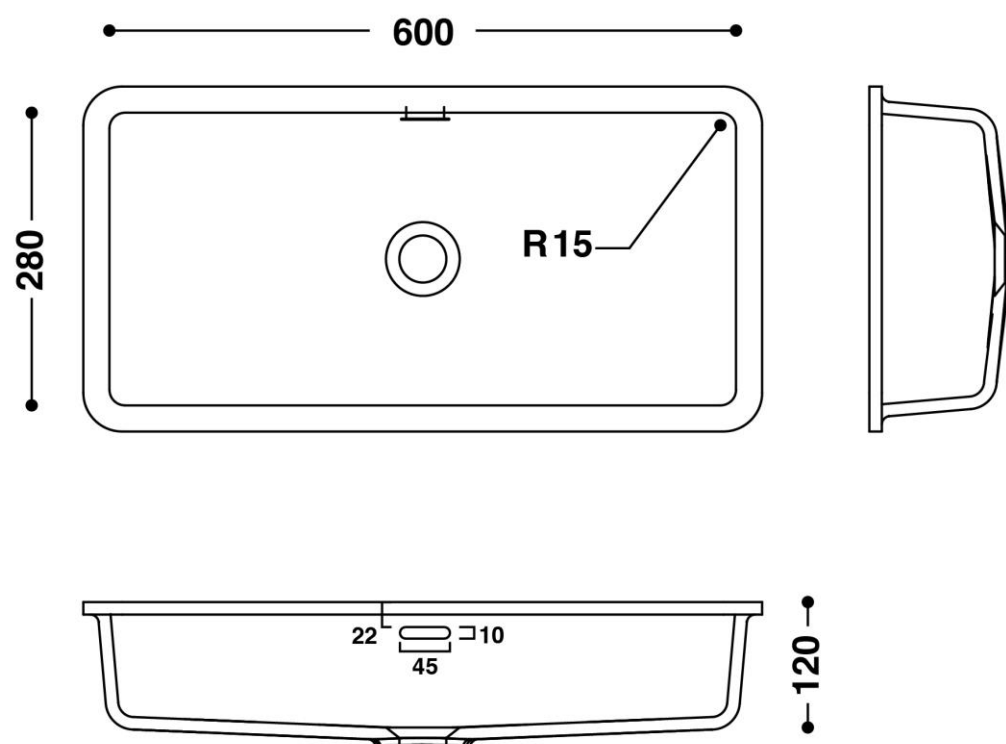
ESSENTIALS CHARACTERISTICS	PERFORMANCE	Harmonized specification
Fitness for cleaning	PASS	EN 14688:2016 + A1:2019
Resistance to load	PASS	EN 14688:2016 + A1:2019
Protection against overflow	CLASS 20 **	EN 14688:2016 + A1:2019
Durability	PASS	EN 14688:2016 + A1:2019

\*\* Class 00 for models without overflow.

## ■ RCB 602 – Bathroom application



MINIMUM 8% RECYCLED CONTENT  
PRE-CONSUMER



## ■ Dimensions, Weight, and Packaging Information

RCB 602	
LENGTH	600 mm
WIDTH	280 mm
HEIGHT	120 mm
INSIDE RADIUS	15 mm

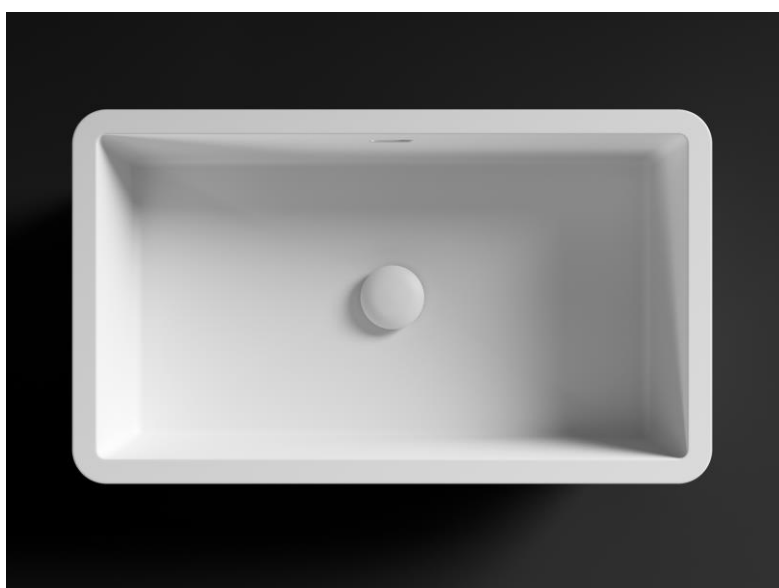
RCB 602	
NET WEIGHT	8.1 kg
PACKAGING WEIGHT	1 kg
GROSS WEIGHT	9.1 kg
PACKAGING DIMENSIONS ( H x W x L )	200 x 415 x 735 mm

## ■ Conformity to EN 14688:2016 + A1:2019

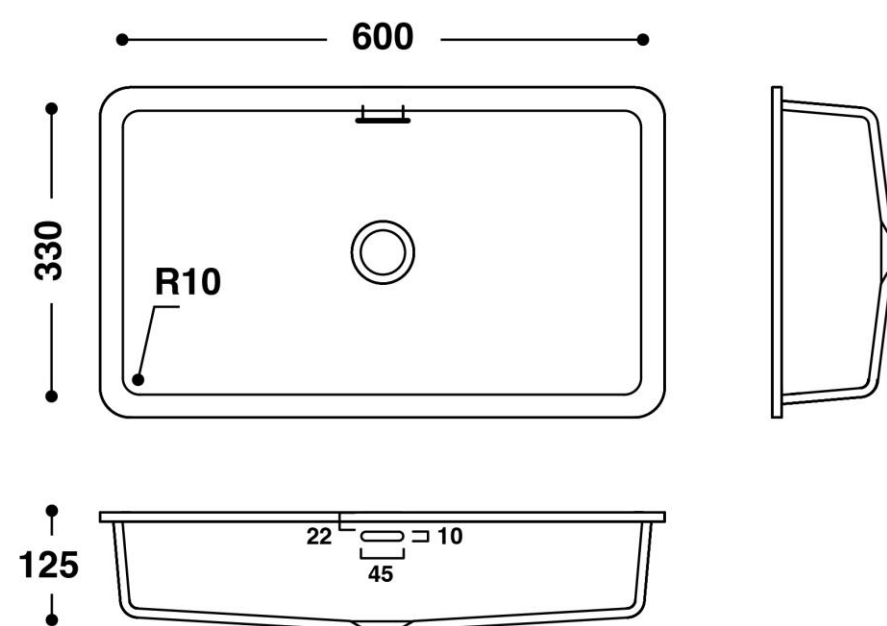
ESSENTIALS CHARACTERISTICS	PERFORMANCE	Harmonized specification
Fitness for cleaning	PASS	EN 14688:2016 + A1:2019
Resistance to load	PASS	EN 14688:2016 + A1:2019
Protection against overflow	CLASS 20 **	EN 14688:2016 + A1:2019
Durability	PASS	EN 14688:2016 + A1:2019

\*\* Class 00 for models without overflow.

## ■ RCB 6033 – Bathroom application



MINIMUM 8% RECYCLED CONTENT  
PRE-CONSUMER



## ■ Dimensions, Weight, and Packaging Information

RCB 6033	
LENGTH	600 mm
WIDTH	330 mm
HEIGHT	125 mm
INSIDE RADIUS	10 mm

RCB 6033	
NET WEIGHT	7.5 kg
PACKAGING WEIGHT	1.5 kg
GROSS WEIGHT	9 kg
PACKAGING DIMENSIONS ( H x W x L )	210 x 450 x 720 mm

## ■ Conformity to EN 14688:2016 + A1:2019

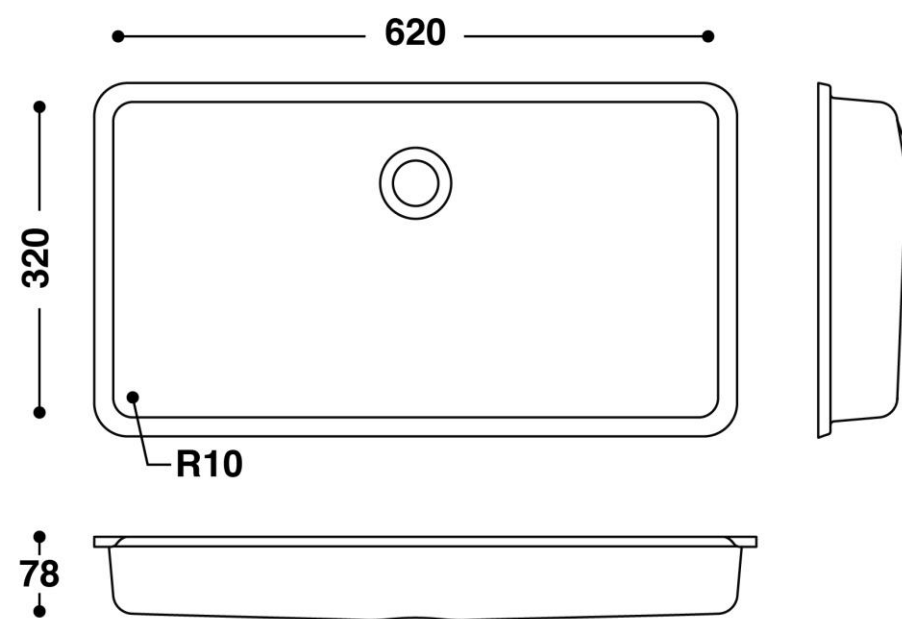
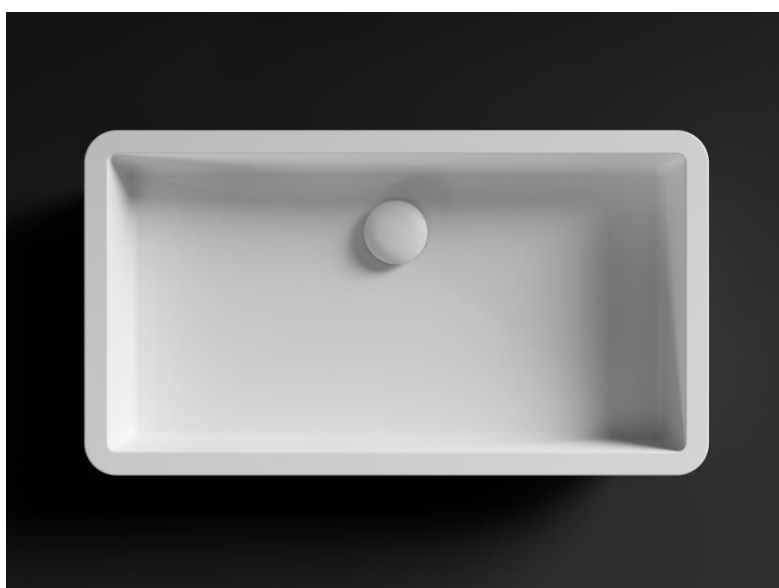
ESSENTIALS CHARACTERISTICS	PERFORMANCE	Harmonized specification
Fitness for cleaning	PASS	EN 14688:2016 + A1:2019
Resistance to load	PASS	EN 14688:2016 + A1:2019
Protection against overflow	CLASS 20 **	EN 14688:2016 + A1:2019
Durability	PASS	EN 14688:2016 + A1:2019

\*\* Class 00 for models without overflow.

## RCB 6232 – Bathroom, Healthcare application For persons with reduced mobility (PRM)



MINIMUM 8% RECYCLED CONTENT  
PRE-CONSUMER



## Dimensions, Weight, and Packaging Information

RCB 6232	
LENGTH	620 mm
WIDTH	320 mm
HEIGHT	78 mm
INSIDE RADIUS	10 mm

RCB 6232	
NET WEIGHT	7 kg
PACKAGING WEIGHT	1.3 kg
GROSS WEIGHT	8.3 kg
PACKAGING DIMENSIONS ( H x W x L )	160 x 460 x 750 mm

## Conformity to EN 14688:2016 + A1:2019

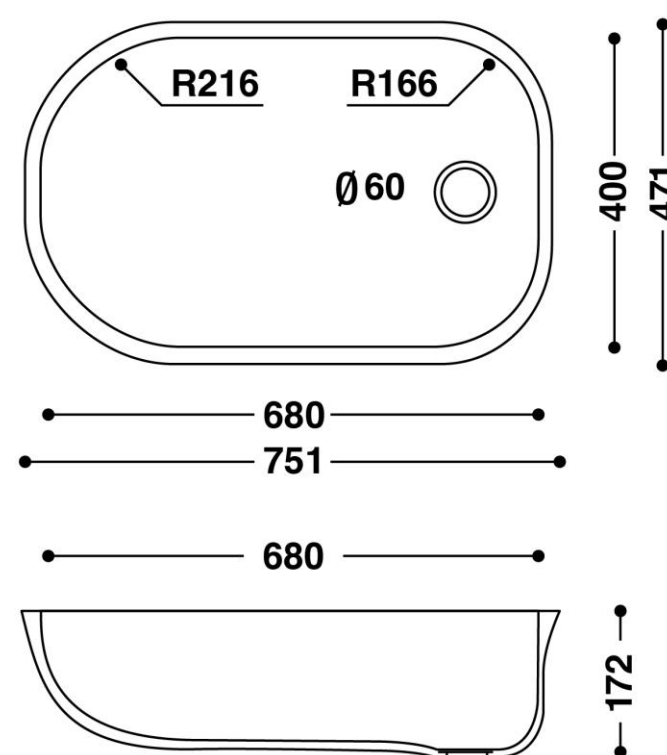
ESSENTIALS CHARACTERISTICS	PERFORMANCE	Harmonized specification
Fitness for cleaning	PASS	EN 14688:2016 + A1:2019
Resistance to load	PASS	EN 14688:2016 + A1:2019
Protection against overflow	CLASS 20 **	EN 14688:2016 + A1:2019
Durability	PASS	EN 14688:2016 + A1:2019

\*\* Class 00 for models without overflow.

## RCB 680 – Bathroom, Healthcare application Baby Bath



MINIMUM 8% RECYCLED CONTENT  
PRE-CONSUMER



## Dimensions, Weight, and Packaging Information

RCB 6232	
LENGTH	680 mm
WIDTH	400 mm
HEIGHT	172 mm
INSIDE RADIUS	166/216 mm

RCB 6232	
NET WEIGHT	11.8 kg
PACKAGING WEIGHT	2 kg
GROSS WEIGHT	13.8 kg
PACKAGING DIMENSIONS ( H x W x L )	235 x 550 x 825 mm

## Conformity to EN 14688:2016 + A1:2019

ESSENTIALS CHARACTERISTICS	PERFORMANCE	Harmonized specification
Fitness for cleaning	PASS	EN 14688:2016 + A1:2019
Resistance to load	PASS	EN 14688:2016 + A1:2019
Protection against overflow	CLASS 20 **	EN 14688:2016 + A1:2019
Durability	PASS	EN 14688:2016 + A1:2019

\*\* Class 00 for models without overflow.

# HI·MACS

Solid Surface Material

**LX Hausys Europe GmbH**  
**Lyoner Str. 15**  
**60528 Frankfurt am Main**  
**Germany**